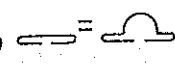


ACHTUNG

1. Vor Inbetriebnahme des Schmalheftkopfes, bzw. vor Arbeiten an der Maschine unbedingt Hohner-Bedienungsanleitung durchlesen und alle Warnungen an der Maschine beachten. Nichtbeachten dieser Vorschrift kann zu schweren Verletzungen führen.
2. Maschine nicht bedienen, bevor alle Schutzvorrichtungen, Verschlüsse und andere Sicherheitsvorrichtungen funktionieren, bzw. angebracht sind.
3. Vor Reparaturen und Montagearbeiten stets Stromzufuhr unterbrechen und Sicherheitsschalter (Hauptschalter) auf 0 stellen.

Der Verwender ist dafür verantwortlich, daß die Maschine zu jeder Zeit sicher arbeitet und die Bedienungsperson sich an den Vorschriften in dieser Bedienungsanleitung orientiert. Bei allen, die sichere Bedienung der Maschine betreffenden Fragen, wenden Sie sich bitte an Ihren Vorgesetzten, die nächste Hohner-Vertretung oder direkt an Hohner Maschinenbau GmbH.

CONTENTS

	page
Chapter I: General and services _____	23
① Technical data _____	23
②a Foundation plan of the Univ. 48/5 _____	24
②b Foundation plan of the clincher box and stitching head mounting _____	25
③ Supply schedule _____	26
④ Lube specification _____	26
⑤ Installation + adjustment of the Univ. 48/5 _____	27
⑥ Fine adjustment of the clincher box _____	28
⑦ Inserting the wire _____	29
⑧ Straightening of the wire _____	30
⑨ Basic setting of wire length _____	31
⑩ Setting of leg length _____	32
⑪ Alignment of former _____	33
⑫ Alignment of bender _____	34
⑬ Exchange of knives _____	35
⑭ Exchange of bender _____	36
⑮ Exchange of driver _____	36
⑯ Exchange of clinchers _____	37
Chapter II: Conversion of the Univ. 48/5  _____	38
Chapter III: Troubleshooting _____	39
Chapter IV: Spare parts list _____	62

Chapter I : General and services

① Technical data

a) standard stitching

The min. distance between staples depends on the stitching thickness:

0-1 mm	= 48 mm
2 mm	= 49 mm
3 mm	= 50 mm
4 mm	= 52 mm
5 mm	= 54 mm

Crown width: 14 mm

Execution for the following sorts of wire:

round stitching wire no. 24-28 (0,60 - 0,40 mm dia.)
round stitching wire no. 26-30 (0,50 - 0,35 mm dia.)

Please only use name brand steel, in normal or extra high tension steel versions, depending on usage. By heavy scuffing of wire, scuff resistibility causes wire tubes to clog. Use of ligure wire is not recommended.

Net weight: approx. 3,2 kgs

b) loop stitching

The min. distance between staples depends on the stitching thickness:

0-1 mm	= 50 mm
2 mm	= 52 mm
3 mm	= 54 mm

Crown width: 14 mm

Execution for the following sort of wire:

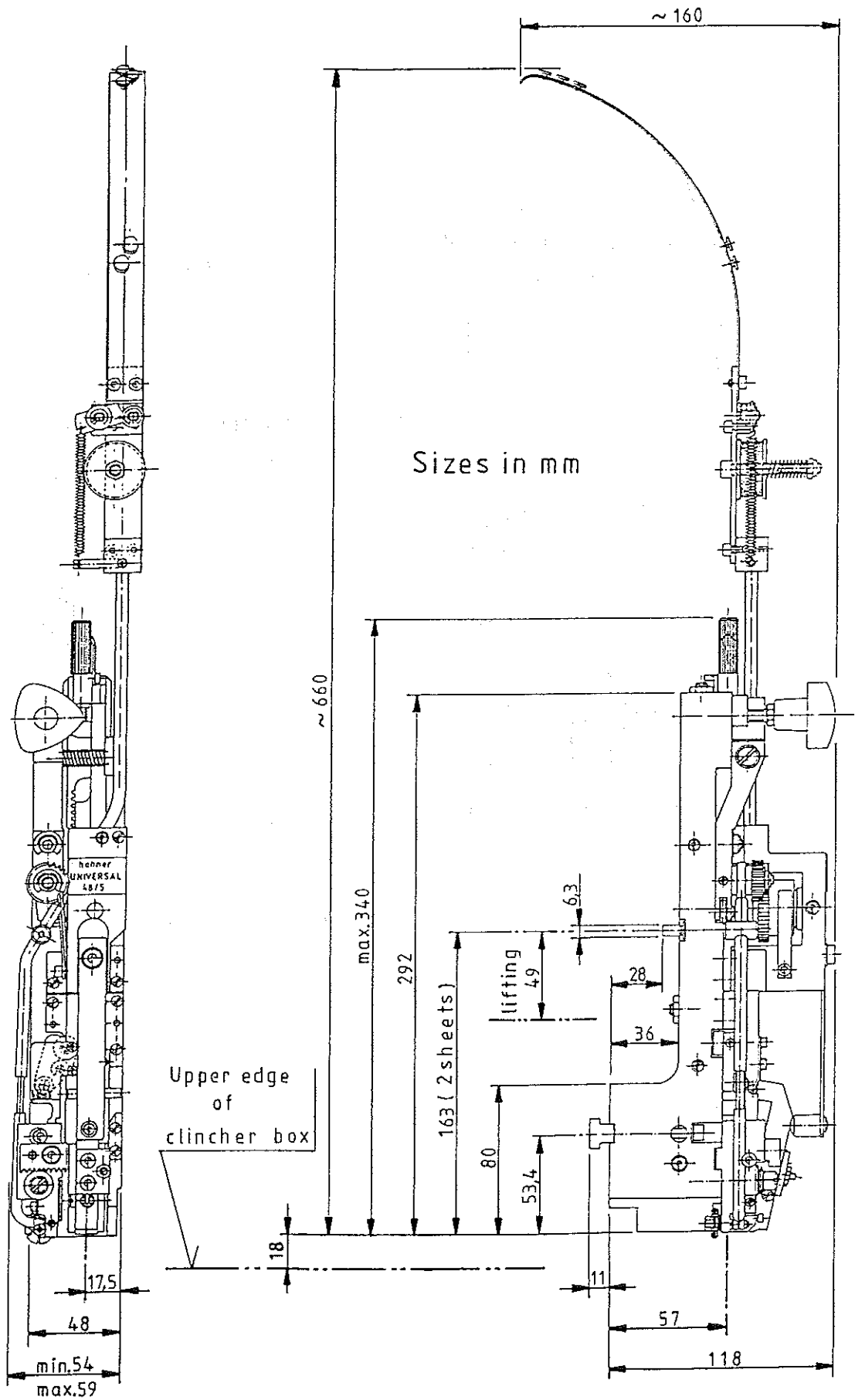
round stitching wire no. 24-28 (0,60 - 0,40 mm dia.)

Please only use name brand steel, in normal or extra high tension steel versions, depending on usage. By heavy scuffing of wire, scuff resistibility causes wire guides to clog.

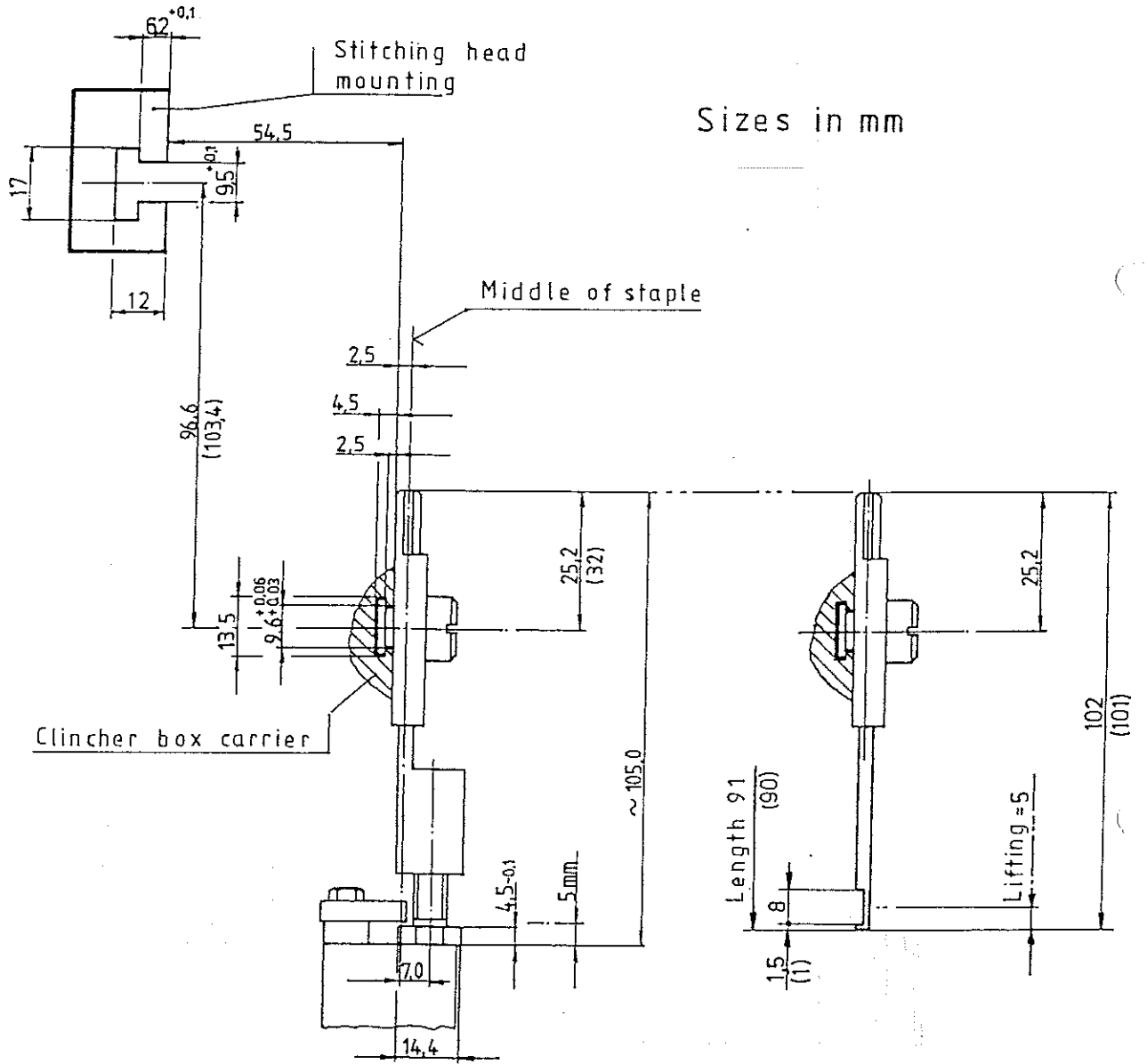
Net weight: approx. 3,2 kg

2a

Foundation plan of the Universal 48/5



(2b) Foundation plan of the clincher box and stitching head mounting



③ Supply schedule

Every new UNIVERSAL 48/5 is supplied with:

Equipment:

- 1 wire feeding spring
- 1 clincher box cpl. with clinchers and clincher pusher

Tools:

- 1 allen key SW 2
- 1 allen key SW 2,5
- 1 allen key SW 6
- 1 allen key - T-grip SW 4
- 1 adjusting lever

- Art.-No.: 4600006
- 4600007
- 4600010
- 4600024
- 9465205

④ Lube specification

Apply a first-rate oil only, never a viscous mineral oil, spray lubricants, nor a light oil for sewing machine. 30 W - 50 W recommended. For the one way bearing, Kluber NBU-15 must be used (available through your Hohner-dealer).

We recommend:

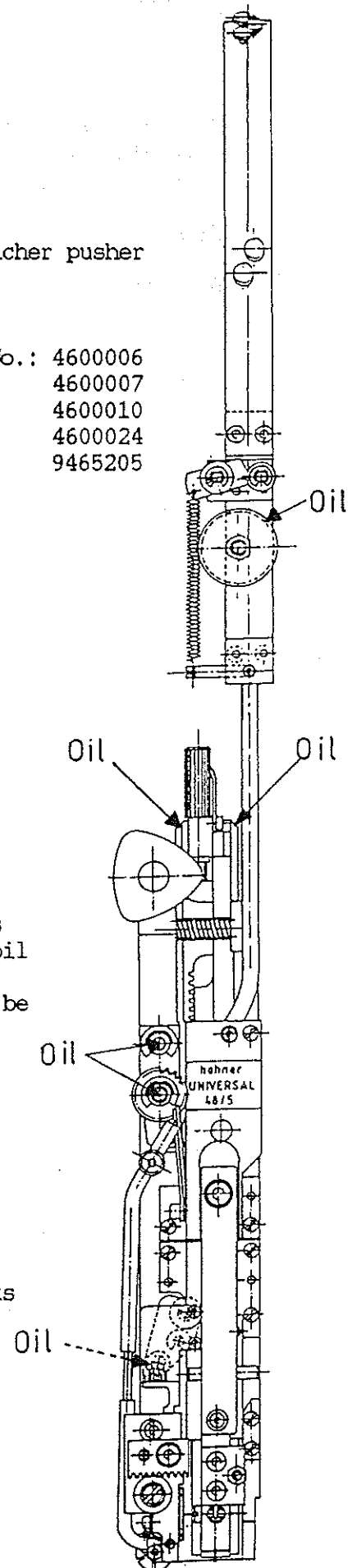
Sliding oil with viscosity grade 65-70
(ISO-viscosity grade according to DIN 51519)

Oiling: how often?

In case of need (approx. every 16 working hours)

From time to time slightly oil the felt disks on the wire feeding spring.

Please observe all these regulations carefully to guarantee a faultless operation.

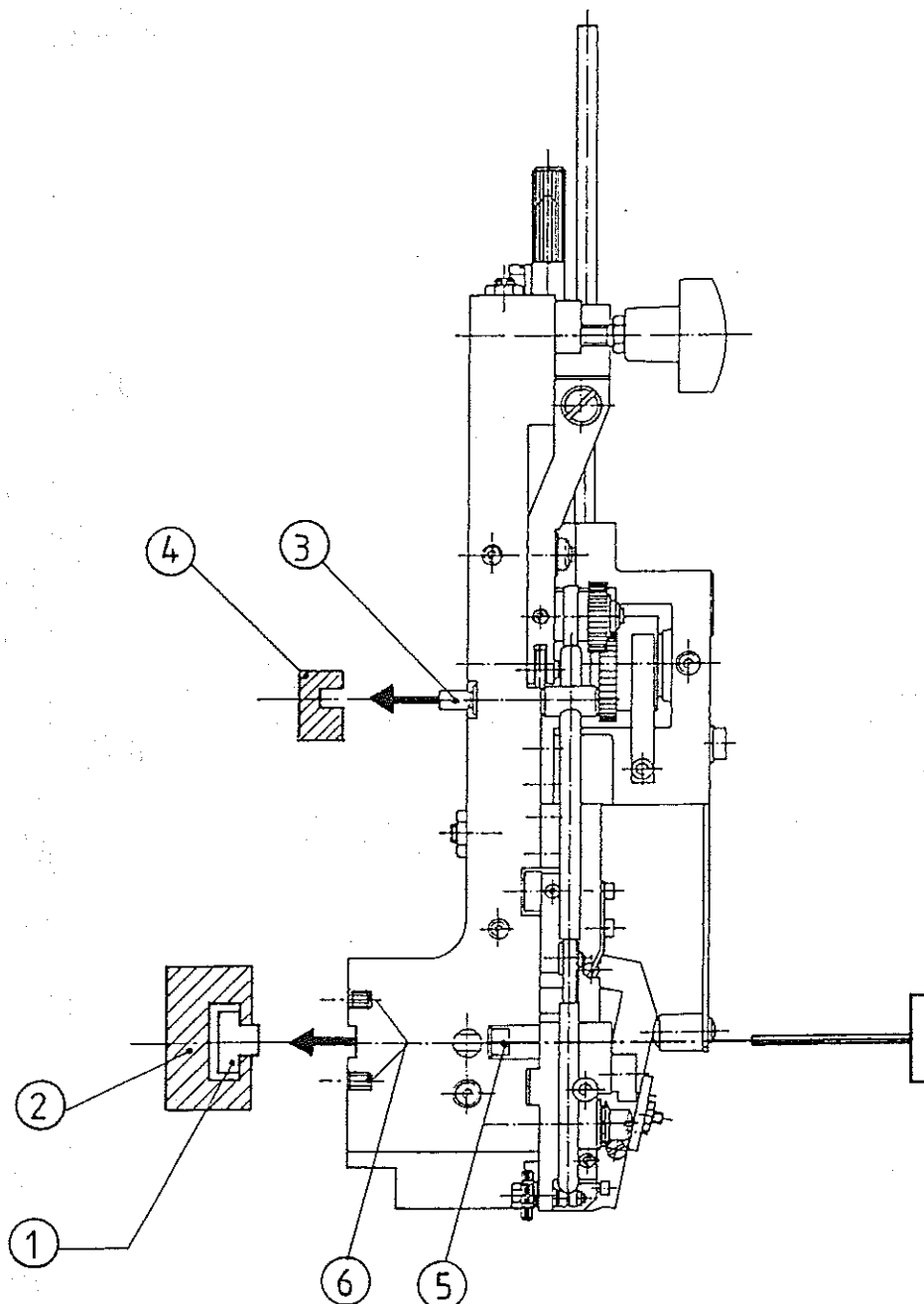


⑤ Installation and adjustment of the Univ. 48/5

Insert mounting block ① into mounting channel ② laterally. Insert the stitching head over the protruding journal of the mounting block ①, taking caution that the nose of the carrier ② properly seats in the groove of the main drive bar ④.

Tighten allen cap screw ⑤ with the delivered allen key - T-grip SW 4.

By loosening allen set screw ⑥ the stitching head can be adjusted to the clincher box.

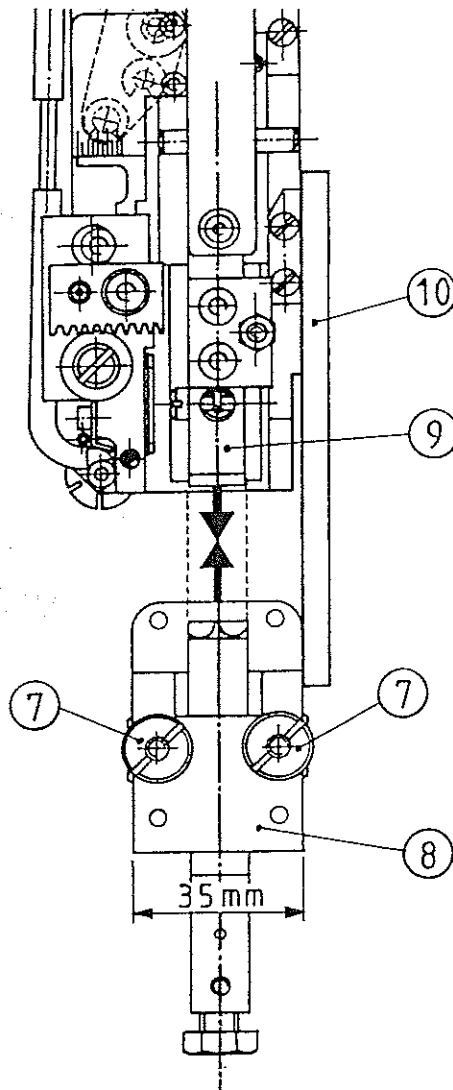


⑥ Fine adjustment of the clincher box

Loosen clamping screws ⑦ . Adjust the clincher box ⑧ by moving it laterally until it is centered with the driver.

The middle of the former ⑨ must be exactly in alignment with the middle of the clincher box ⑧ .

It is helpful to use a straight flat material (i. e. a ruler). The flat material ⑩ is put against the right side of the UNIVERSAL 48/5. Then, move the clincher box ⑧ (35 mm wide) to the right side against the flat material ⑩ until it stops. Tighten the clamping screws ⑦ .



⑦ Inserting the wire

Turn off the wire transport (Turn orange knob ⑪ to the right).

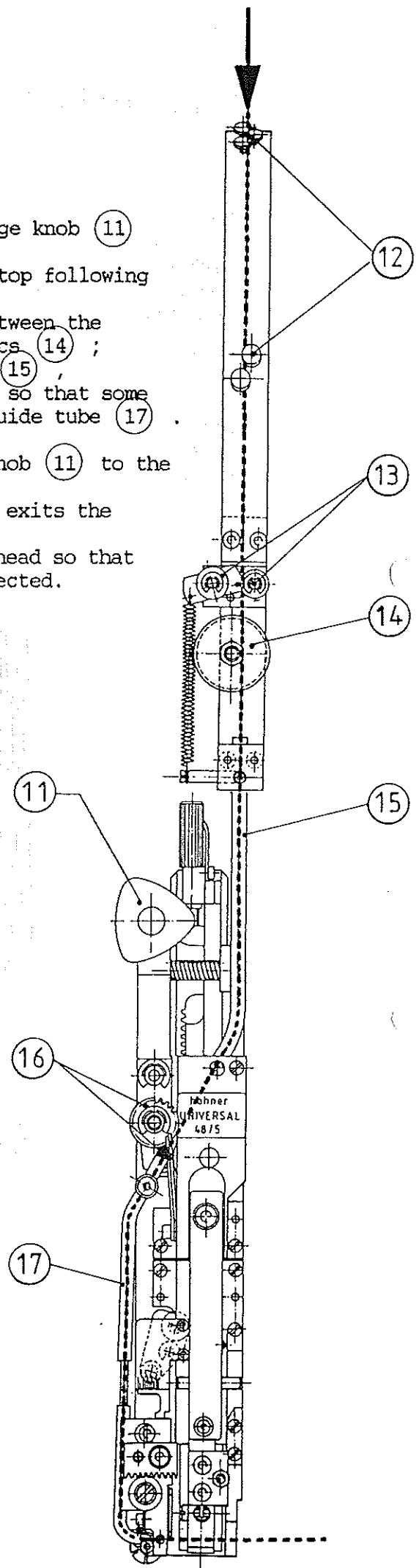
Push stitching wire through from the top following these steps:

Thread wire through eyelets ⑫, between the wire discs ⑬ and the both felt discs ⑭; then through the top wire guide tube ⑮, between both transporting wheels ⑯ so that some wire is inserted in the middle wire guide tube ⑰. Remove the former.

Turn on wire transport (Turn orange knob ⑪ to the left).

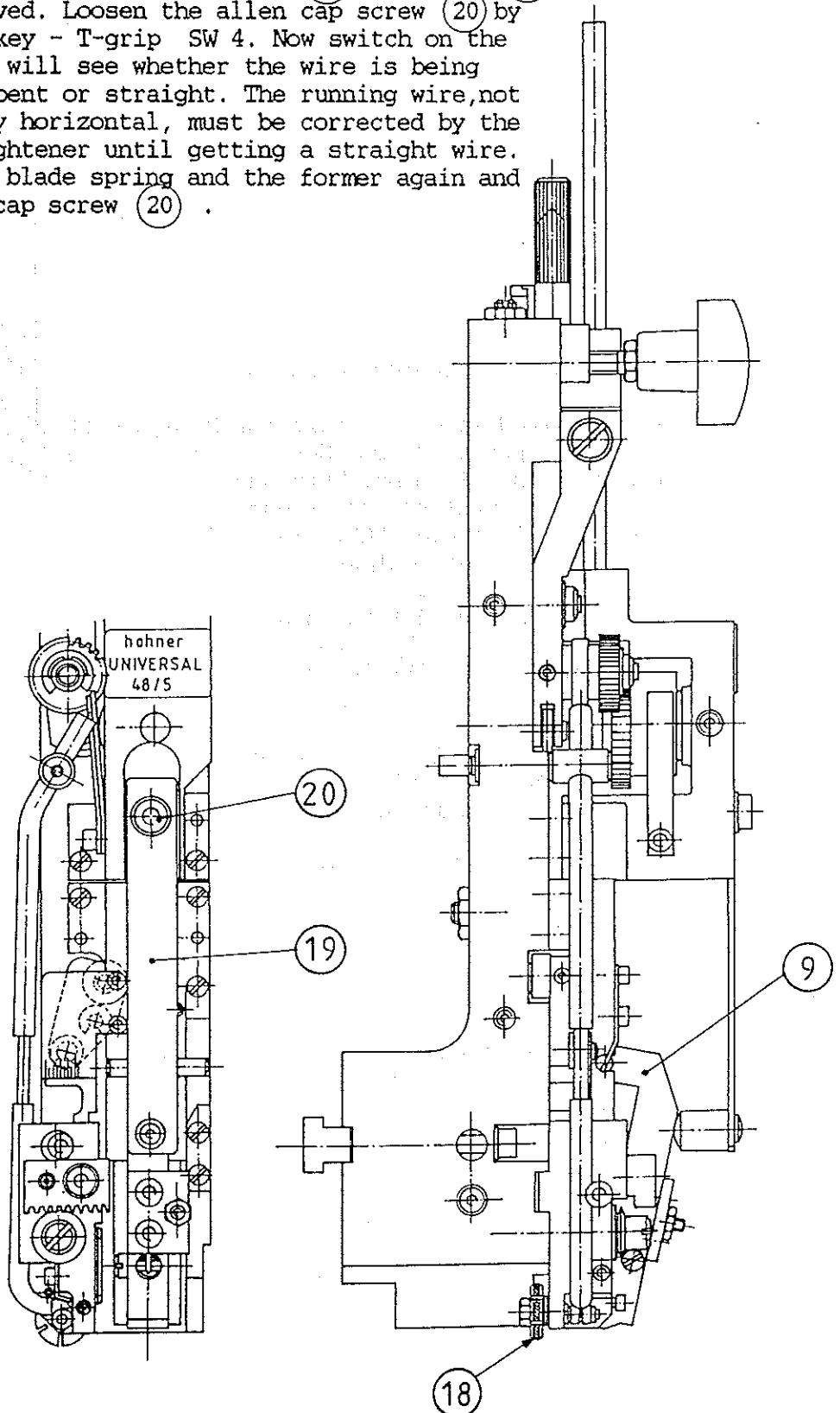
Let the unit run until the first wire exits the cutting box.

Place some paper under the stitching head so that wire segments and staples can be collected.

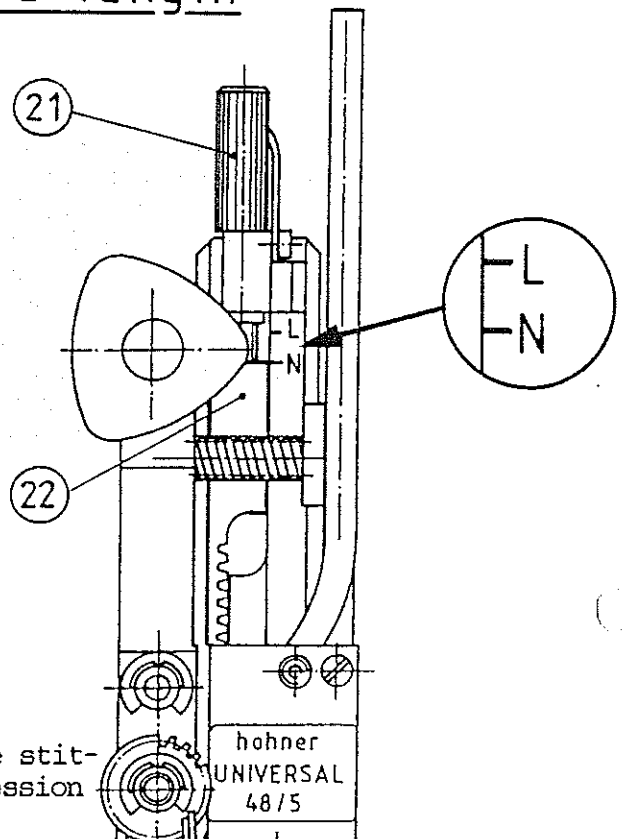



⑧ Straightening of the wire

The wire must be straight for stitching. If it is not straight or if any difficulties appear, try to change the course of the wire by slightly turning the knurled nut (18) by using an allen key. If this is unsuccessful blade spring (19) and former (9) must be removed. Loosen the allen cap screw (20) by using allen key - T-grip SW 4. Now switch on the unit and you will see whether the wire is being transported bent or straight. The running wire, not being exactly horizontal, must be corrected by the roller-straightener until getting a straight wire. Assemble the blade spring and the former again and tighten the cap screw (20).



⑨ Basic setting of wire length



a) standard stitching 


The required length of wire for 2-page stitching is approx. 26 mm. Set the compression for 2-pages stitching. Turn adjusting screw (21) until the upper edge of the gear rack (22) indicates "N". Finer adjustment are then attained as follows:

- Adjusting screw (21) is turned to the right
= longer wire
- Adjusting screw (21) is turned to the left
= shorter wire

This adjustment is necessary only once, and that is when the stitching head is installed and compression is set.

Caution!

A slight correction may be necessary when heavier gauge wire is intended for use.

b) for loop stitching 

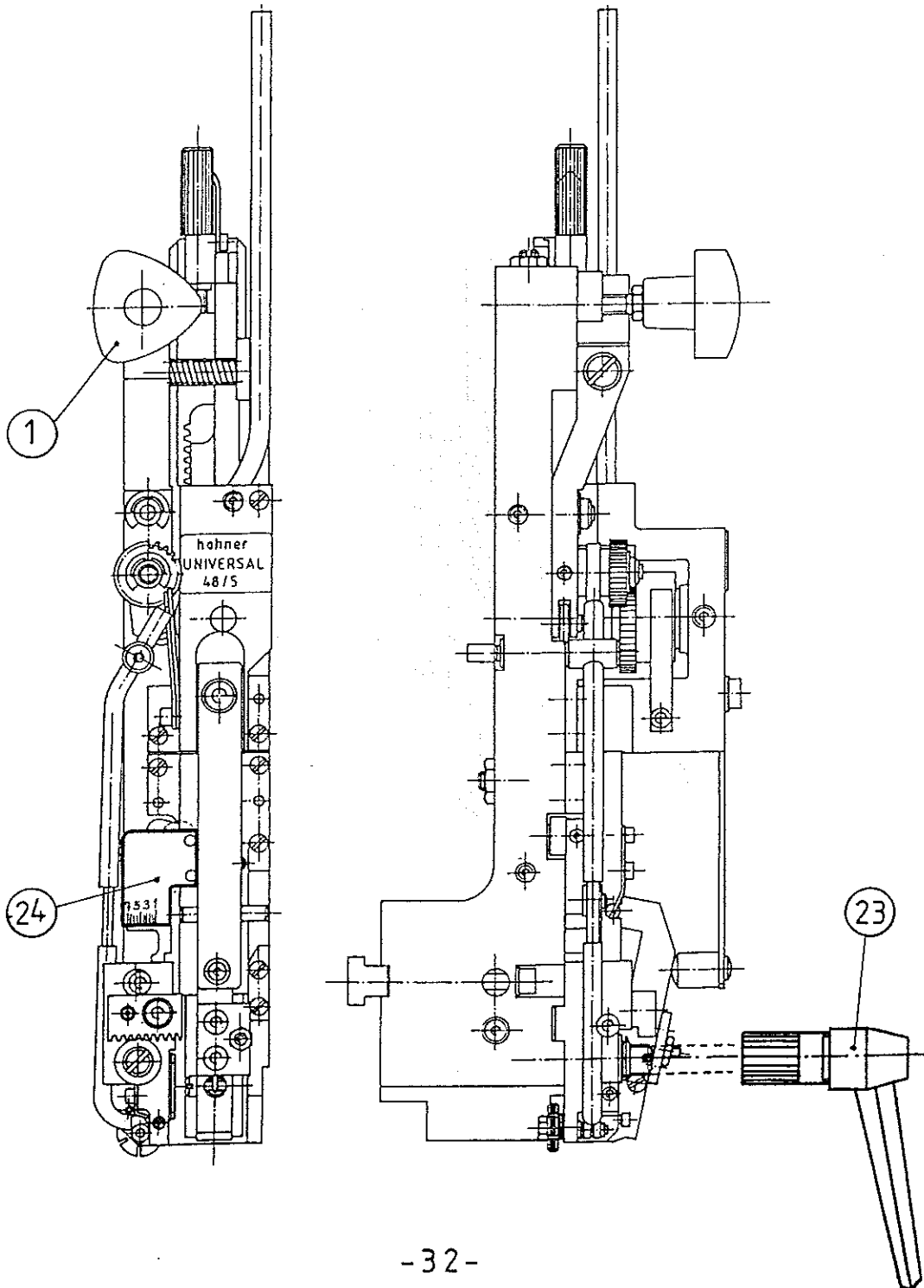
The required length of wire for 2-page stitching is approx. 32 mm. Set the stitching unit for 2-page stitching. Turn adjusting screw (21) until the upper edge of the gear rack (22) indicates "L". Finer adjustments are then attained as follows:

- Adjusting screw (21) is turned to the right
= longer wire
- Adjusting screw (21) is turned to the left
= shorter wire

This adjustment is necessary only once, and that is when the stitching head is installed and compression is set.

⑩ Setting of leg length

Upon completion of overall wire length setting, the individual clinched legs must be set so they are of equal length. Turn off the wire transport ①. With adjusting lever ②③ rotate clockwise = lengthens the right leg/shortens left, rotate counter clockwise = lengthens the left leg/shortens right. With this adjustment you are merely centering the wire in the former. An equal length of wire showing on both sides of the former is desired.

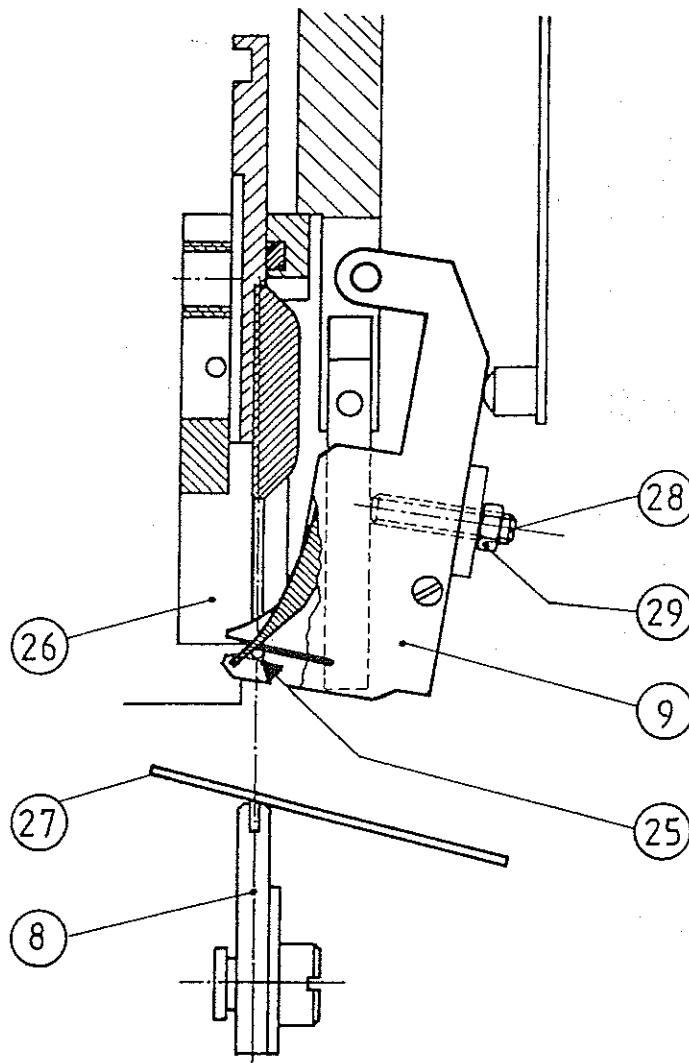


⑪ Alignment of former

The stitching will be correct only when the former ⑨ swings in so far that the stitching wire ②⑤ comes exactly under the middle of the groove of the bender ②⑥. This can be controlled exactly by laying a mirror ②⑦ on the clincher box ②⑧, by that means the position of the former respecting the wire can be seen clearly. A correction eventually necessary can be obtained by adjusting the adjusting screw ②⑧.

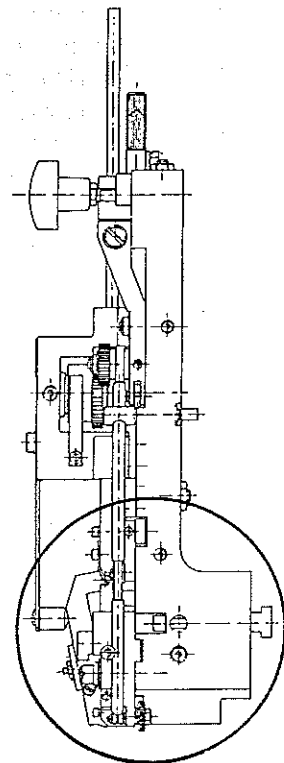
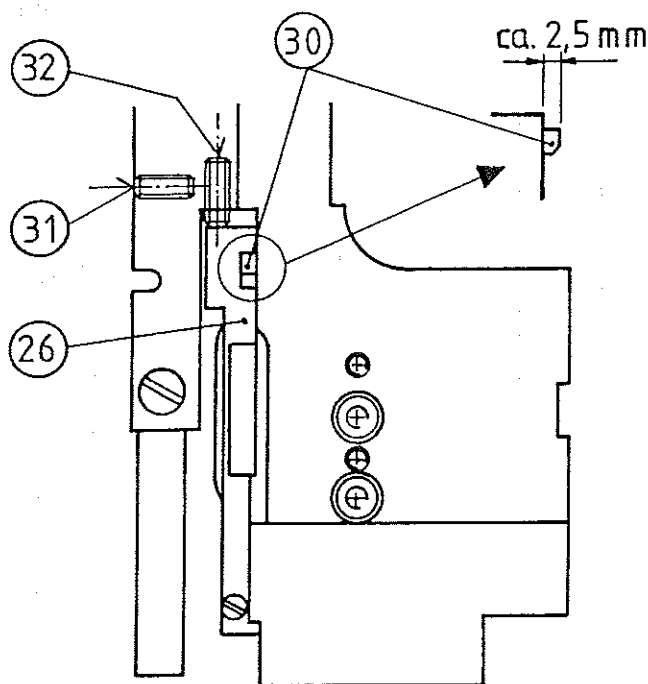
Important!

After adjustment tighten nut ②⑨ again carefully.



⑫ Alignment of bender

Before checking this adjustment, your machine must be set for the minimum book thickness (0 compression). To maintain a proper function, the stitching head must be adjusted to the stroke of your machine which is roughly done at our factory. A correction is only then necessary, if the divert blade (30) in the bender (26) does not come out laterally 2,5 mm when the head is at its highest position. If an adjustment is necessary, place the stitching unit to the lowest position and remove the former. Loosen hex-socket screw (31) and unscrew the adjusting screw (32) 1 - 2 turns. After adjustment tighten hex-socket screw again. Now switch on the unit and examine if the divert blade come out enough. Repeat this procedure until the function is correct. The divert blade (latch) should pop out slightly prior to top dead center.



13 Exchange of knives

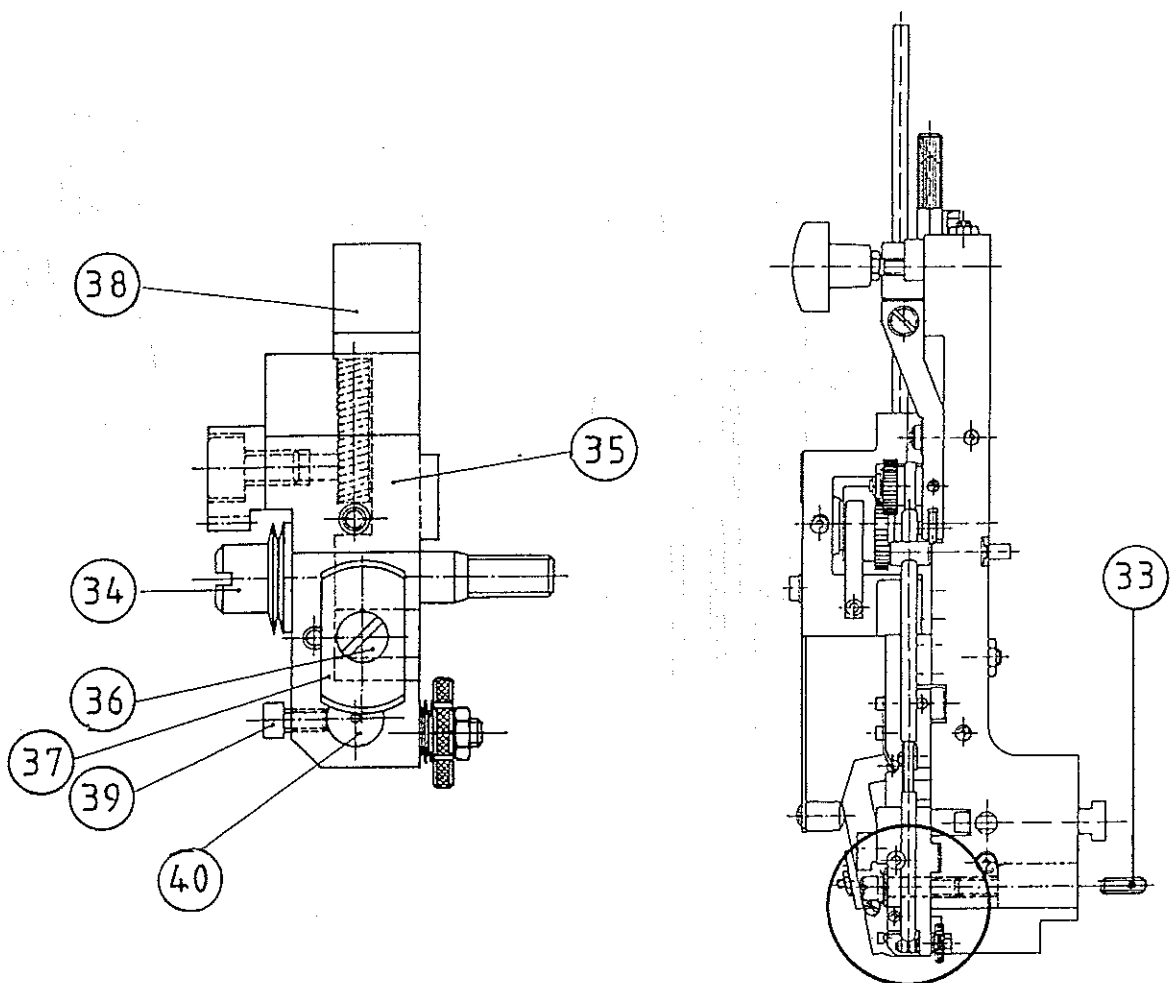
The quality of the stitching mainly depends on the condition of the knives. The knives can be used several times by turning them some degrees.

a) exchange of flat knife

Loosen flat head screw (33), remove stand-up bolt (34) and remove the cutting box (35). Loosen the flat head screw (36) at the flat knife (37) and exchange the blade. Assemble in reversed order and make sure that the stand-up bolt (34) is tightened so strongly that the cutting box (35) can only be slightly adjusted when using the adjusting lever (see chapter 10).

b) exchange of round knife

Loosen flat head screw (33). Remove stand-up bolt (34) and remove cutting box (35). Carefully remove cutting pusher (38) (the installed compression spring is under pressure). Loosen allen cap screw (39) and squeeze out round knife (40) from the left. Exchange round knife. Assemble in reversed order. When assembling the new round knife you must pay attention that the round knife (40) projects so far that an absolute cutting effect with the counter cutting edge results. For best results push in the new round knife and adjust it at the flat knife (37) pressed down. Tighten allen cap screw (39) again. Make sure that the stand-up bolt (34) is tightened so strongly that the cutting box (35) can only be slightly adjusted when using the adjusting lever (see chapter 10).



14 Exchange of bender

Loosen allen cap screw (20) . Remove blade spring (19) and former (9) . Remove allen cap screw (41) and the corresponding carrier (42) .

Pull out bender downwards.

Assemble in reversed order.

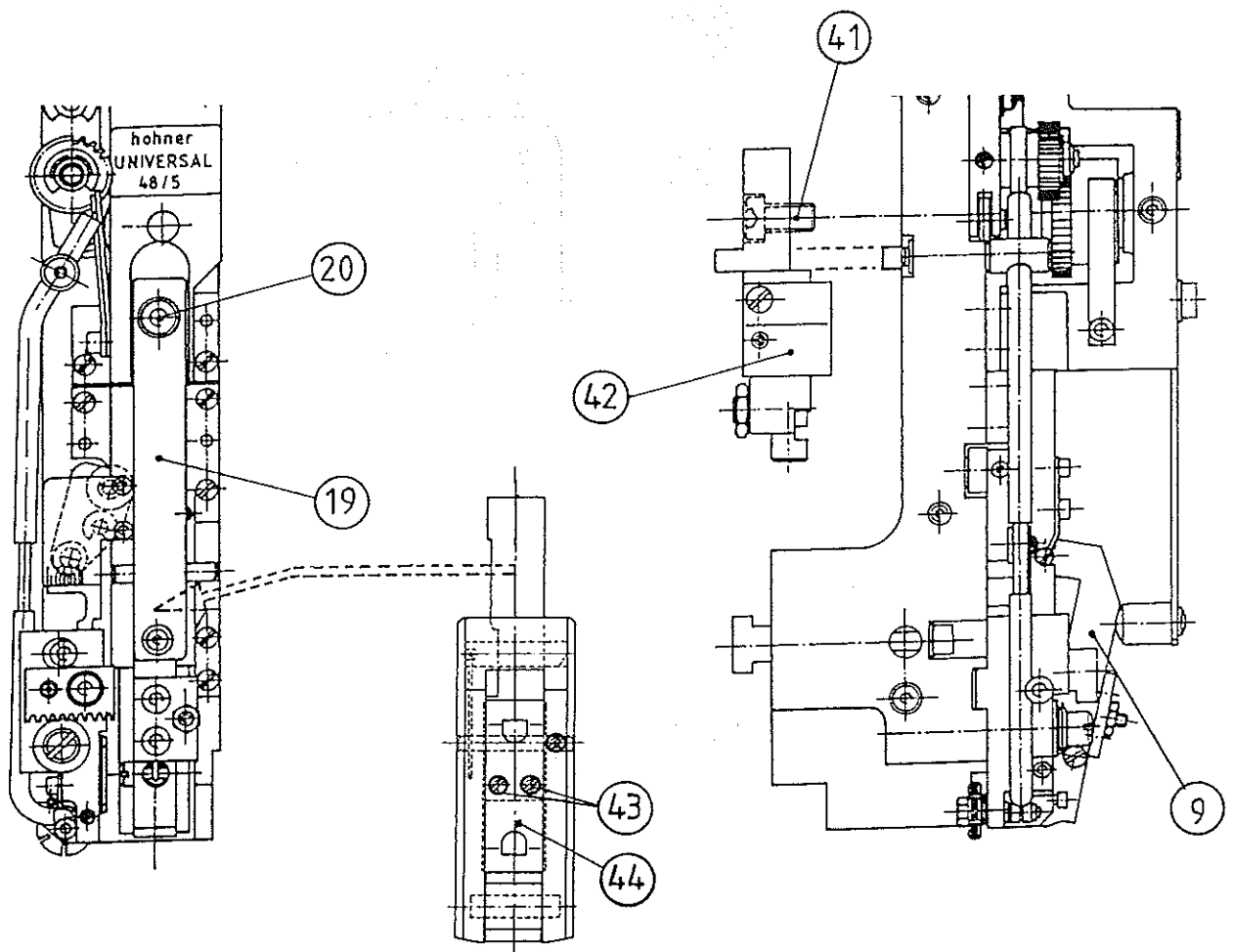
When inserting the bender into the stitching head, the divert blade must be pressed a bit into the bender (see chapter 12 - pos. (30)).

15 Exchange of driver

Loosen allen cap screw (20) . Remove blade spring (19) and former (9) . Turn out the two studs 423 in the driver (44) and pull out of the bender downwards.

Assemble in reversed order.

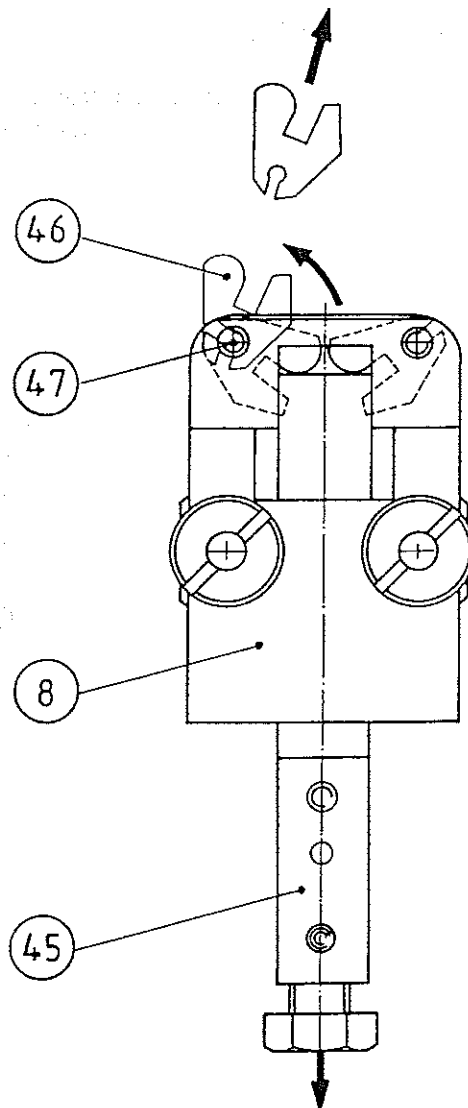
If the lower edge of the driver is worn out, the driver can be turned round and used again.



①⑥ Exchange of clinchers

Draw out clincher pusher ④⑤ downwards. Turn clinchers ④⑥ in the clincher box ⑧ upwards and extract them out of the locking bolt ④⑦.

Push in new clinchers into the locking bolt ④⑦, turn them around to the middle of the clincher box. Insert the clincher pusher again.



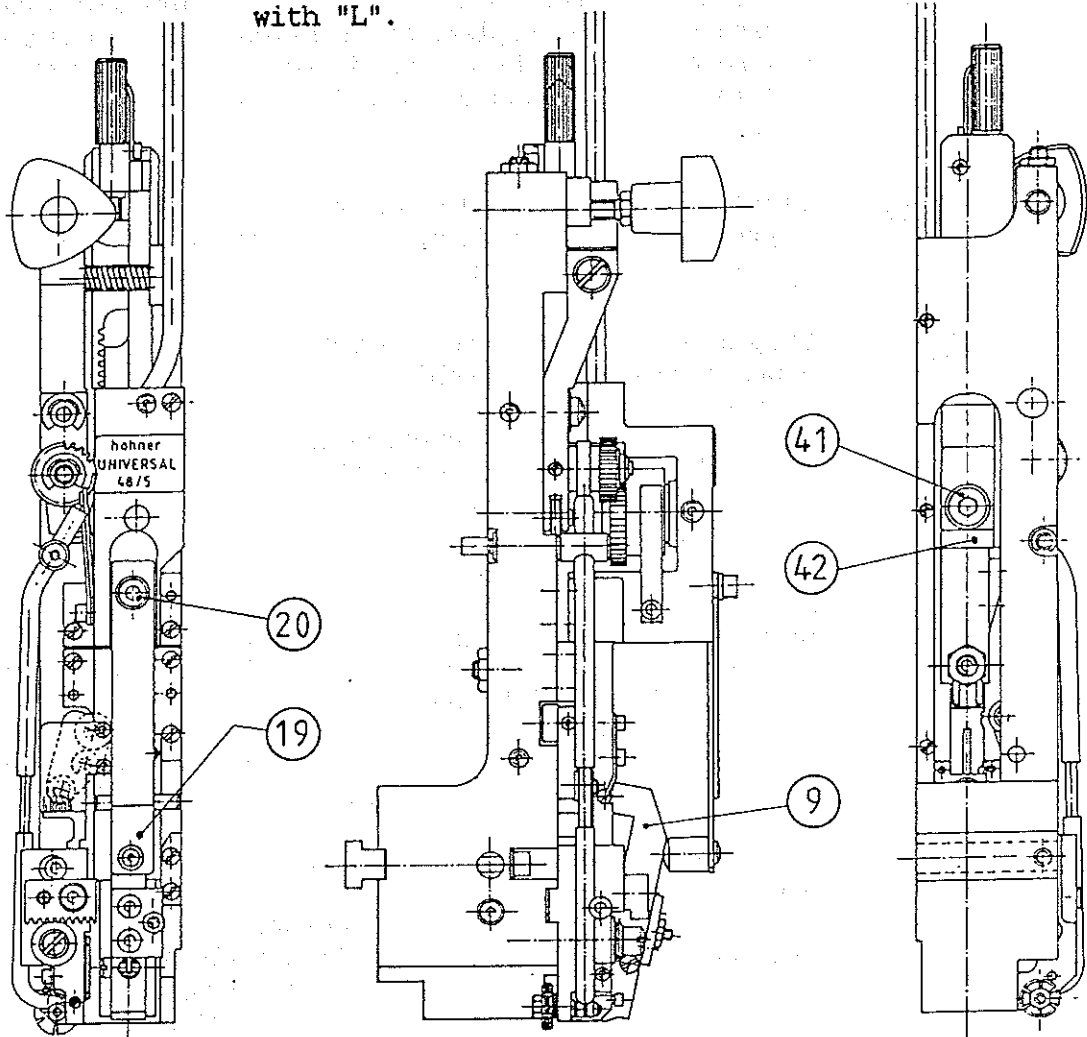
Chapter II: conversion of the Universal 48/5 to loop stitching.



For loop stitching, a change part set consisting of the following parts is needed:

- 3863418 blade spring, short
- 9961352 bender, complete
- 9963410 former, complete

All parts needed for loop stitching are marked with "L".



Exchange of the loop stitching parts:
 Loosen allen cap screw (20) . Remove blade spring (19) and former (9) . Remove allen cap screw (41) and the corresponding driver (42) . Pull out bender (26) downwards. Insert bender for loop stitching into the stitching head and make sure that divert blade is pressed a bit into the bender (see chapter 12 - post. (30)). Install driver (42) and tighten allen cap screw (41) . Install former for loop stitching. Put blade spring, short for loop stitching on long blade spring (19) and fasten with allen cap screw (20) . Before operating, please carefully study chapter 11 and 12. Set wire length indicator at "L".

Chapter III : Troubleshooting

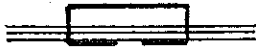
Here are some examples of faults with specifications of the possible causes. There are often different reasons which have to be investigated step by step. Do not apply all suggestions simultaneously but one after the other making tests in between.

Worn out parts should be exchanged.



Staple back arched:

- wire weak or soft
- wire not straightened: see chapter 8
- round or flat knife worn out: see chapter 13
- pressure of the shoe tongue weak or blocked: remove blocking wire pieces or replace compression spring in the shoe tongue
- wire groove in the driver is dirty, worn out or broken out: remove driver, see chapter 15, clean wire groove resp. exchange driver



Staple back does not lay tight:

- pressure of the stitching too weak: adjust stitching unit to stitching thickness



Staple legs are not bent enough:

- pressure of the stitching too weak: adjust stitching unit to stitching thickness
- clinchers do not go upwards enough: adjust compression for the clincher lifting at the stitching unit
- timing from clincher actuation to lifting actuation not correct: stitching unit must be adjusted again at the manufacturer



Staple back does not lay tight, is saddle shaped

- pressure of the stitching too weak: adjust stitching unit to stitching thickness
- wire weak or soft
- pressure of the shoe tongue too weak or blocked: remove blocking wire pieces or replace compression spring in the shoe tongue



Staple legs ramed and are not correctly bent:

- wire weak or soft
- wire not straightened: see chapter 8
- clincher box must be aligned: see chapter 6
- staple legs not equal length: see chapter 10
- overall wire length too short: see chapter 9
- round or flat knife worn out: see chapter 13



Wire does not pierce through and builds loops:

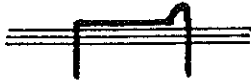
- wire weak or soft
- groove in the bender is clogged by wire pieces
- round or flat knife worn out: see chapter 13
- wire groove in the driver is dirty, worn out or broken out: remove driver, see chapter 15, clean wire groove resp. exchange driver
- shoe tongue spring too weak: remove blocking wire pieces or replace compression spring in the shoe tongue
- clincher box not aligned properly: see chapter 6



Staple legs break off.

- latch not adjusted: see chapter 12

- wire is brittle: use other wire quality
- former is blocked by wire pieces: remove wire pieces, eventually remove former
- latch spring or latch defective
- hook spring in the bender is defective
- wire size does not coincide with the wire bender parts (bender and driver)



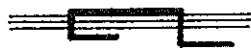
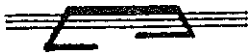
Bulge at one staple edge:

- wire weak or soft
- driver is broken out: see chapter 15
- cutting knives are wornout: see chapter 13
- clincher box out of alignment to the head



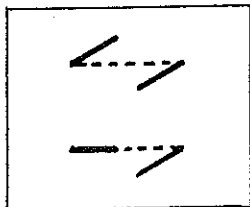
Staple legs run together or apart:

- wire not straightened: see chapter 8
- round or flat knife worn out: see chapter 13



One leg is formed wrong:

- wire not straightened: see chapter 8
- clincher box must be aligned: see chapter 6



One or both legs are formed diagonally:

- wire weak or soft
- wire not straightened: see chapter 8
- round or flat knife worn out: see chapter 13
- clinchers broken out: see chapter 16



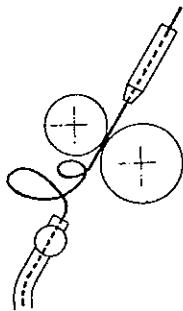
Staple legs are formed diagonally to the same side:

- wire not straightened: see chapter 8



Slightly formed wire pieces:

- wire not straightened: see chapter 8
- adjust bender latch: see chapter 12
- hook spring in the bender is defective



Snarled wire between feed wheels and wire tube:

- wire not straightened: see chapter 8
- cutting pusher is jamming: round knife is pressed against flat knife, see chapter 13b, cutting yoke is blocked, see chapter 4, compression spring in the cutting box is defective
- lower wire tube misplaced or wrongly adjusted: move slightly upwards or downwards
- former wrongly adjusted: see chapter 11
- wire tube is clogged

Troubleshooting - loop stitching

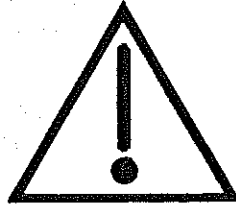


Most faults and specifications of the eventual reasons are indicated in the section before.



Only straight wire pieces appear

- adjust the double spring for the former: see operating manual, part II
- wire not straightened: see chapter 8
- oil the cleansing felt at the wire guiding spring: see chapter 4
- former wrongly adjusted: see chapter 11



ATTENTION

1. Avant de travailler avec la machine, il convient absolument de lire le mode d'emploi Hohner et de respecter toutes les indications se trouvant sur la machine même. Le non-respect de cette recommandation peut entraîner de graves ennuis.
2. Ne pas mettre la machine en marche tous les systèmes de sécurité et de protection aient été mis en place.
3. Couper le courant avant toute réparation et ramener l'interrupteur de sécurité (interrupteur principal) à 0.

Le responsable devra s'assurer de la bonne utilisation de la machine. Le conducteur sera tenu de respecter toutes les prescriptions du mode d'emploi. En cas de problème, s'adresser à la Société HOHNER ou à son représentant.

TEIL IV

CHAPTER IV

CHAPITRE IV

ERSATZTEILELISTE

SPARE PARTS LIST

LISTE DES PIECES DE RECHANGE

Wichtig:

Bei Bestellung bitte angeben:

- Menge
- Art.-Nummer
- Maschinen-Nummer

Attention:

In case of order please indicate:

- Quantity
- Art.-Number
- Machine-Number

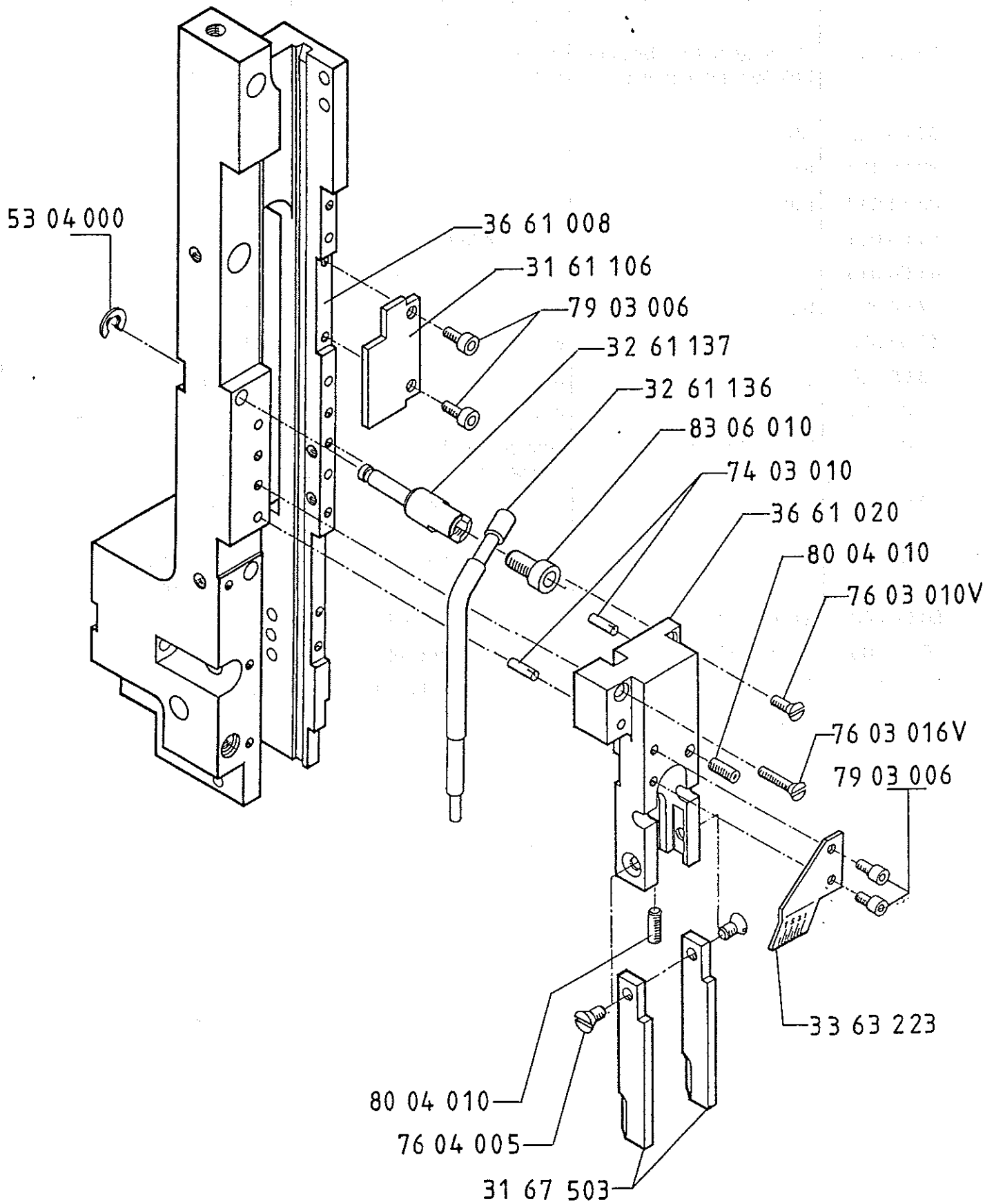
Attention:

En cas de commande veuillez s.v.p. indiquer:

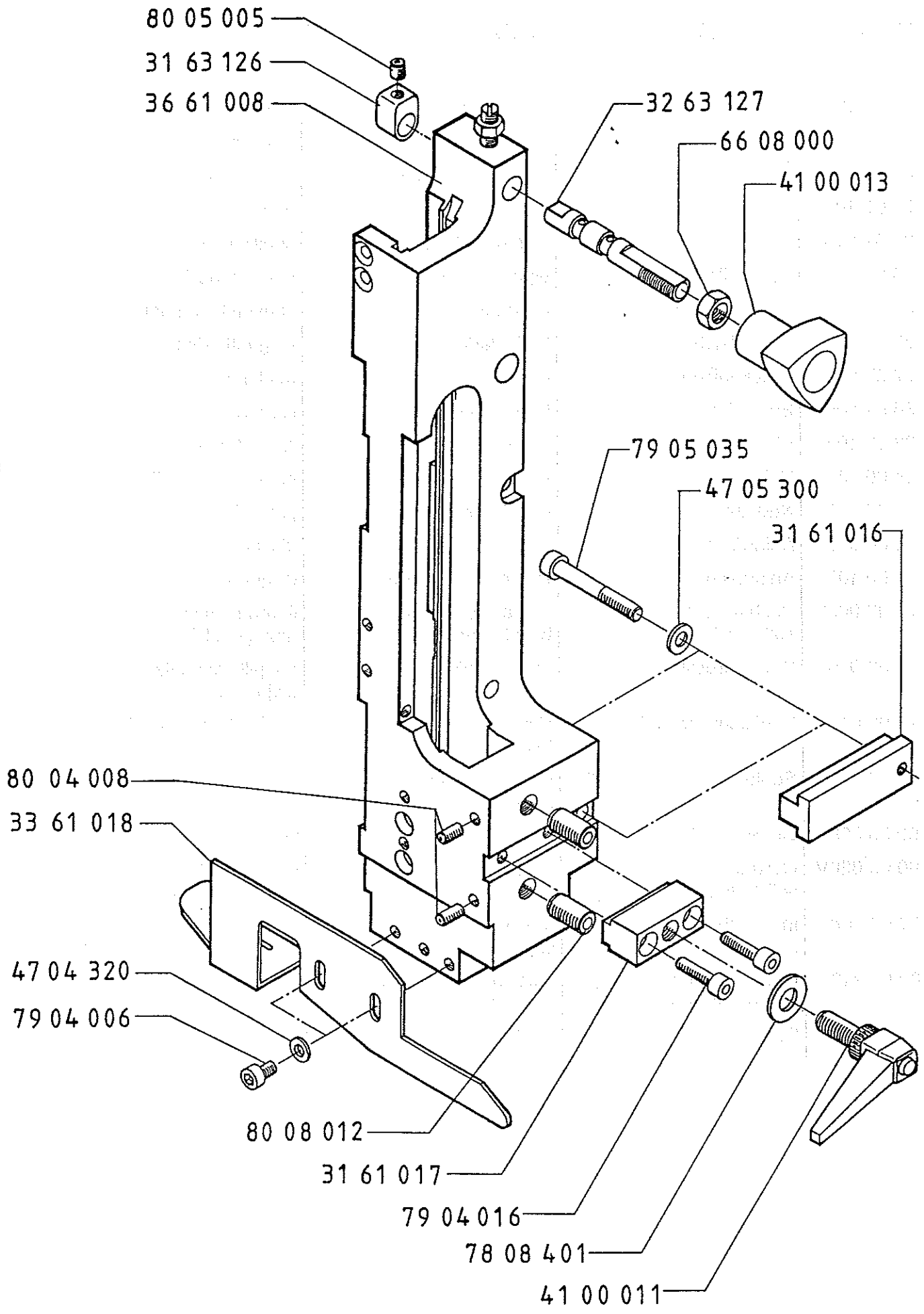
- Quantité
- No. d'article
- No. de la machine

- Technische Änderungen vorbehalten -
- modifications reserved -
- changements réservés -

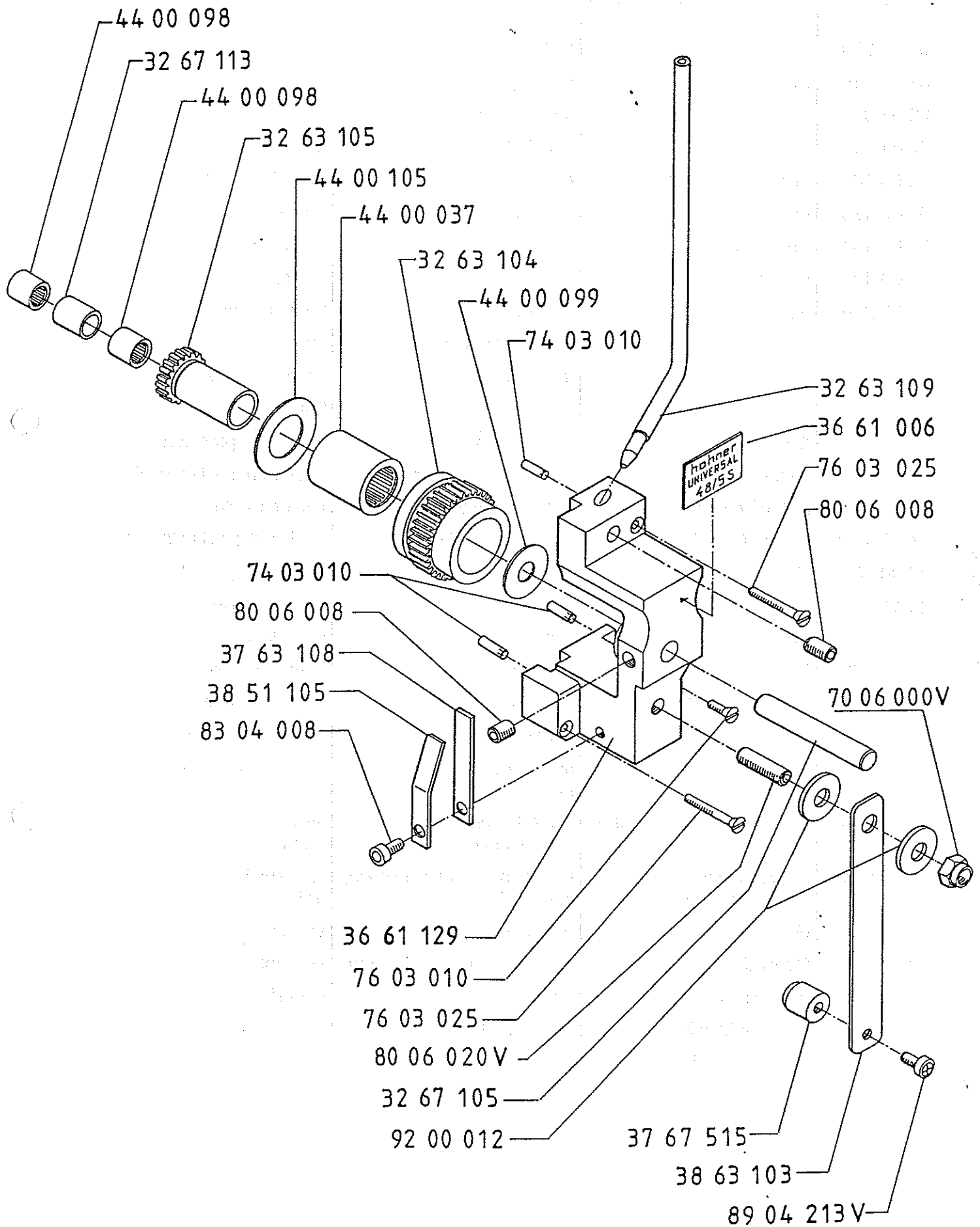
Art.-No.	Bezeichnung	Description	Description
31 61 106	Lagerplatte	bearing plate	plaque d'appui
31 67 503	Drahtführung	wire guide	guidance du fil
32 61 136	Mitteirohr	wire tube, middle	tube milieu
32 61 137	Mitteirohrhalter	wire tube holder, middle	support du tube de guidance du fil, milieu
33 63 223	Schildhalter	etikett-holder	support échelle
36 61 008	Gehäuse	housing	boîtier
36 61 020	Deckel, unten	cover, lower	couvercle, en bas
53 04 000	Sicherungsscheibe	retaining washer	bague de frein
74 03 010	Steckerbstift	grooved pin	goupille cannelée, d'ajustage
76 03 010V	Senkschraube mit Schlitz selbstsichernd	slotted countersunk head screw, self locking	vis à tête conique à fente, freinage interne
76 03 016V	Senkschraube mit Schlitz selbstsichernd	slotted countersunk head screw, self locking	vis à tête conique à fente, freinage interne
76 04 005	Senkschraube mit Schlitz	slotted countersunk head screw	vis à tête conique à fente
79 03 006	Inbusschraube	hexagon socket head cap screw	vis à tête cylindrique à six pans creux
80 04 010	Gewindestift	hexagon socket set screw	vis sans tête
83 06 010	Zylinderschraube niedr. Kopf.	hexagon socket head cap screw, low head	vis à tête cylindrique tête basse



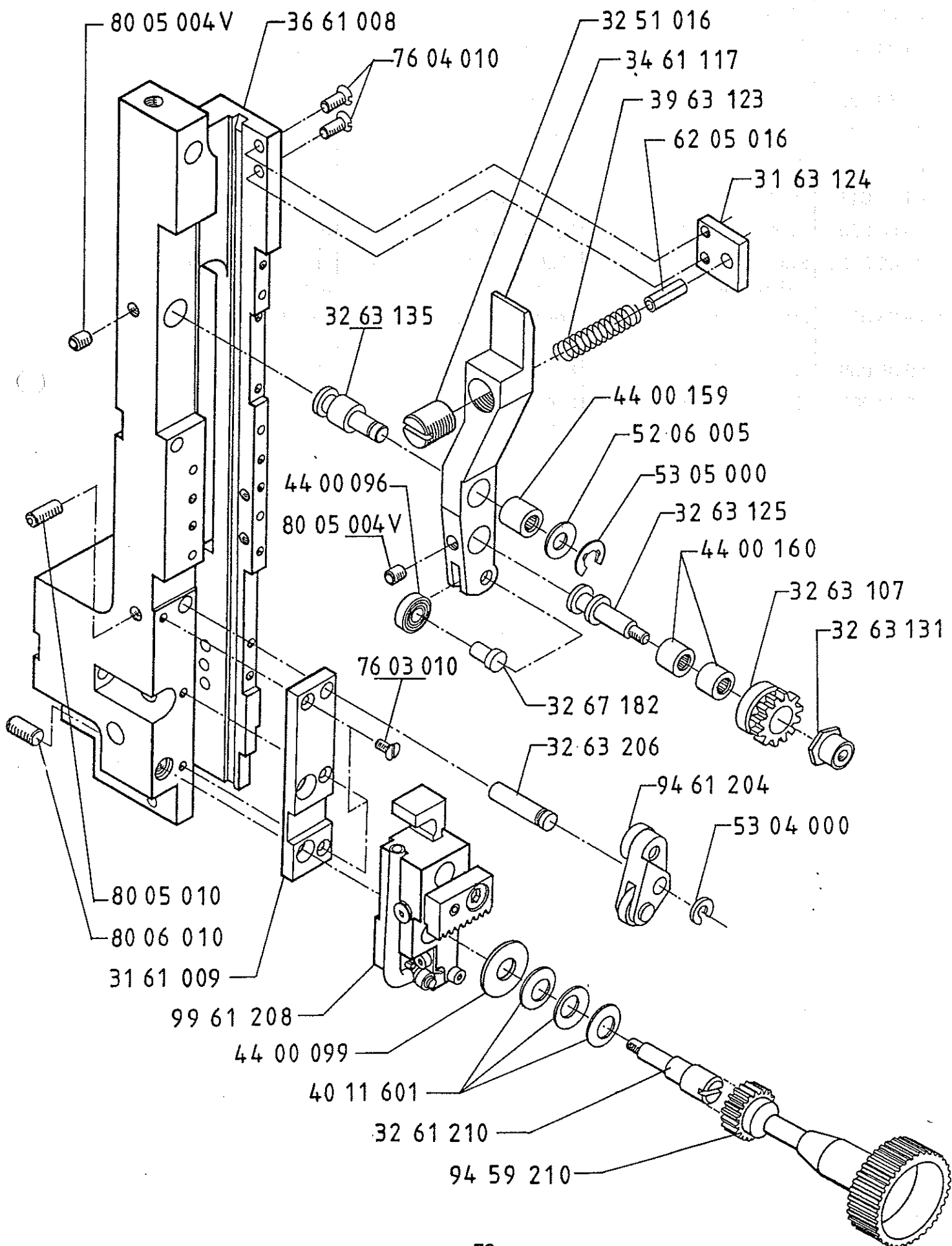
Art.-No.	Bezeichnung	Description	Description
31 61 016	Nutenstein, (für Heftkopf- befestigung von vorne)	key way stone, (mounting of the stitching head from the front)	clavette de rainure (fixation de la tête depuis le front)
31 61 017	Nutenstein, (für Heftkopf- befestigung von hinten)	key way stone, (mounting of the stitching head from behind)	clavette de rainure (fixation de la tête depuis l'arrière)
31 63 126	Abstellexzenter	eccentric stop	excentrique d'arrêt
32 63 127	Exzenterachse	eccentric axle	axe excentrique
33 61 018	Führungsblech	tin guide	tôle de guidage
41 00 011	Klemmhebel	clamping lever	levier de serrage
41 00 013	Dreikantgriff	three-square handle	poignée à trois pans
47 04 320	Scheibe	washer	rondelle
47 05 300	Scheibe	washer	rondelle
66 08 000	Sechskantmutter	hexagon nut	écrou hexagonal
78 08 401	Scheibe	washer	rondelle
79 04 006	Inbusschraube	hexagon socket head cap screw	vis à tête cylindrique à six pans creux
79 04 016	Inbusschraube	hexagon socket head cap screw	vis à tête cylindrique à six pans creux
79 05 035	Inbusschraube	hexagon socket head cap screw	vis à tête cylindrique à six pans creux
80 04 008	Gewindestift	hexagon socket set screw	vis sans tête
80 05 005	Gewindestift	hexagon socket set screw	vis sans tête
80 08 012	Gewindestift	hexagon socket set screw	vis sans tête



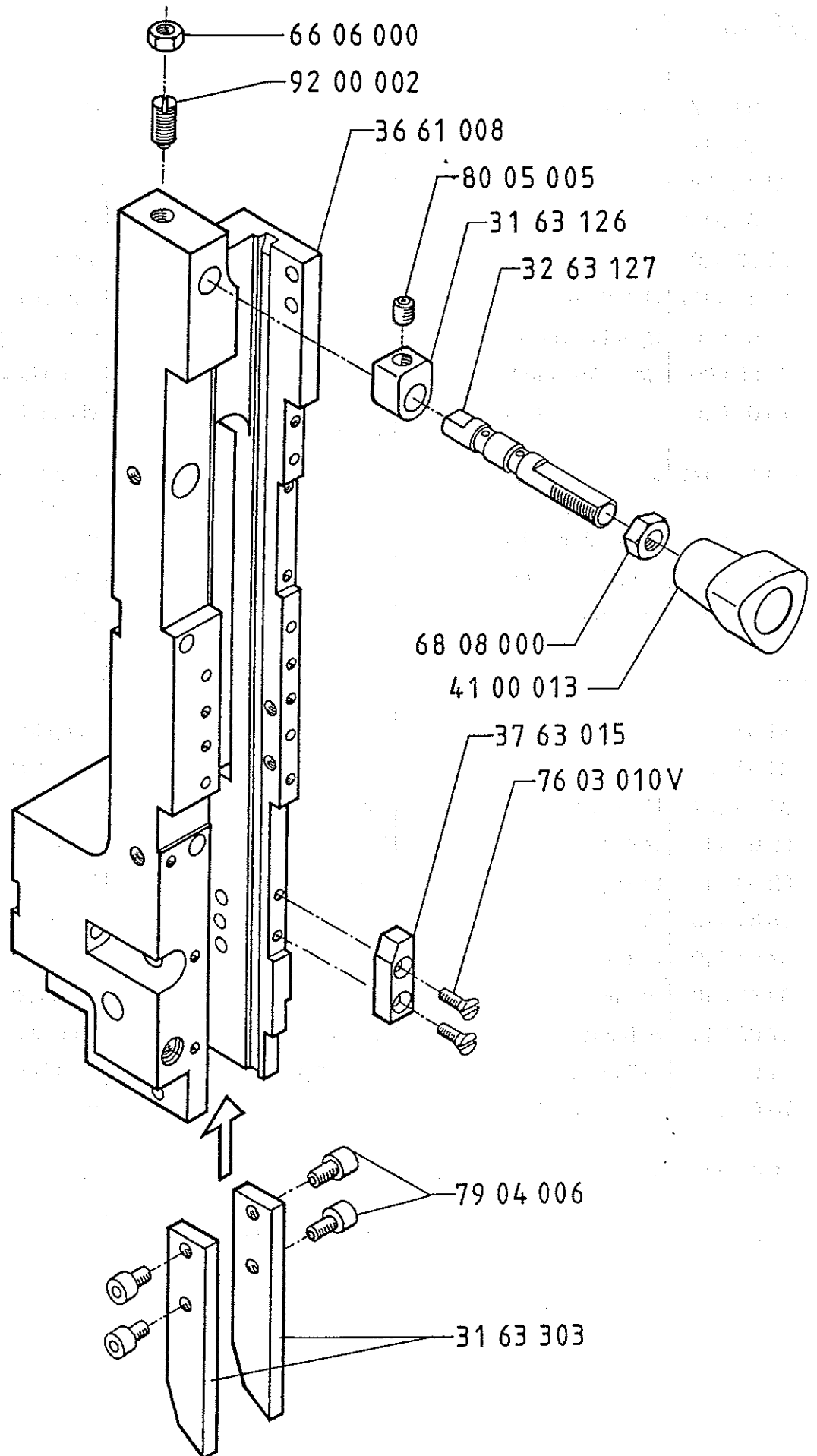
Art.-No.	Bezeichnung	Description	Description
32 63 104	Transportrad	transport wheel	roue de transport
32 63 105	Freilaufnabe	hub, free running above	moyeau, course libre
32 63 109	Drahtrohr, oben	wire tube, above	tube de fil, en haut
32 67 105	Achse	axle	axe
32 67 113	Distanzhülse	distance sleeve	douille de distance
36 61 006	Typschild 48/5 S	type plate 48/5 S	plaq. caractéristique 48/5S
36 61 129	Deckel, oben	cover, top	couvercle, en haut
37 63 108	Bremsleiste	brake ladge	languette de frein
37 67 515	Druckbolzen	compression bolt	boulon de pression
38 51 105	Bremsfeder	brake spring	ressort de frein
38 63 103	Blattfeder	leaf spring	ressort à lames
44 00 037	Hülsenfreilauf	sleeve free-wheel	douille de roue libre
44 00 098	Nadelhülse	needle bearing	palier à aiguilles
44 00 099	Anlaufscheibe	spacer, feed wheel	disque axiale
44 00 105	Anlaufscheibe	spacer, feed wheel	disque axiale
70 06 000V	Sechskantmutter, selbstsichernd	prevailing torque, type hexagon nut	écrou de sécurité hexagonal à frein
74 03 010	Steckkerbstift	grooved pin	goupille cannelée d'ajustage
76 03 010	Senkschraube mit Schlitz	slotted countersunk head screw	vis à tête conique à fente
76 03 025	Senkschraube mit Schlitz	slotted countersunk head screw	vis à tête conique à fente
80 06 008	Gewindestift	hex. socket set screw	vis sans tête
80 06 020V	Gewindestift, selbstsichernd	hex. socket set screw, self locking	vis sans tête freinage interne
83 04 008	Inbusschraube niedr. Kopf	hex. socket head cap screw, low head	vis à tête cylindrique, tête basse
89 04 213V	Linsen-Blechschaube, selbstsichernd	cross recessed pan head tapping screw	vis à tôle à tête ronde bombée
92 00 012	Scheibe	washer	rondelle



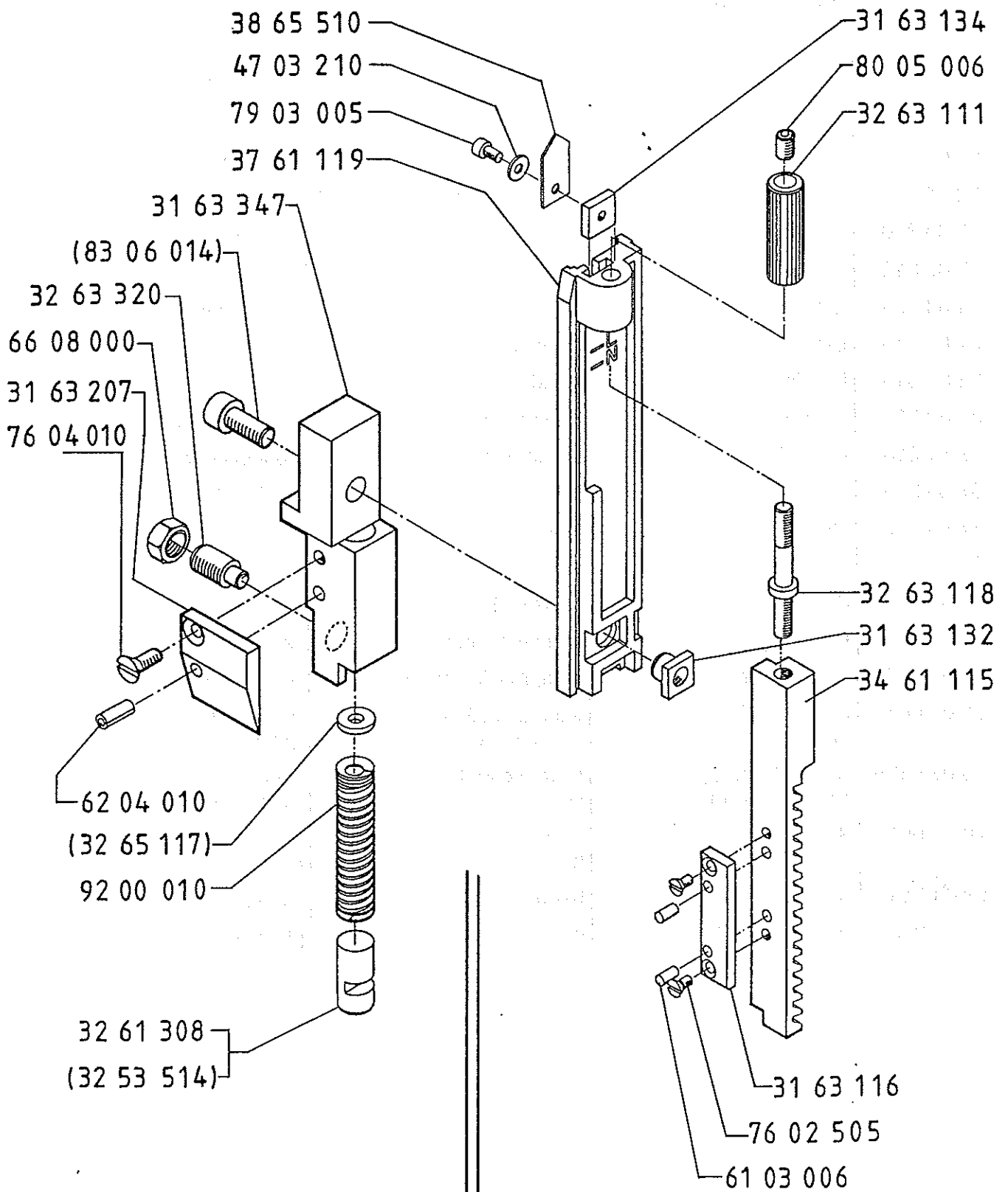
Art.-No.	Bezeichnung	Description	Description
31 61 009	Anlaufplatte	plate	plaque
31 63 124	Federplatte	spring plate	plaque à ressort
32 51 016	Gewindebuchse	threaded bushing	douille filetée
32 61 210	Stehbolzen	stud bolt	goujon fileté
32 63 107	Transportrad, klein	transport wheel, small	roue de transport, petite
32 63 125	Lagerbolzen	bearing bolt	boulon
32 63 131	Anstellmutter	adjusting nut	écrou de réglage
32 63 135	Hebelbolzen	lever bolt	boulon levier
32 63 206	Achsbolzen	axle bolt	boulon d'axe
32 67 182	Druckachse	compression axle	axe de pression
34 61 117	Transporthebel	transport lever	levier de transport
36 61 008	Gehäuse	housing	boîtier
39 63 123	Druckfeder	compression spring	ressort de pression
44 00 096	Miniaturlager	miniature ball bearing	roulement à billes miniat.
44 00 099	Anlaufscheibe	spacer feed wheel	disque axiale
44 00 159	Nadelhülse HK 0609	needle bush HK 0609	douille d'aiguille HK 0609
44 00 160	Nadelhülse HK 0608	needle bush HK 0608	douille d'aiguille HK 0608
44 11 601	Tellerfeder	disc spring	ressort à disque
52 06 005	Paßscheibe	shim ring	rondelle d'ajustage
53 04 000	Sicherungsscheibe	retaining washer	bague de frein
53 05 000	Sicherungsscheibe	retaining washer	bague de frein
62 05 016	Spiralspannstift	spiral pin	goupille spiralée
76 03 010	Senkschraube mit Schlitz	slotted countersunk head screw	vis à tête conique à fente
76 04 010	Senkschraube m. Schlitz	slotted countersunk head screw	vis à tête conique à fente
80 05 004V	Gewindestift selbstsichernd	hexagon socket set screw, self locking	vis sans tête, freinage interne
80 05 010	Gewindestift	hexagon socket set screw	vis sans tête
80 06 010	Gewindestift	hexagon socket set screw	vis sans tête
94 59 210	Verstellgriff	adjusting handle	poignée de réglage
94 61 204	Abschneidewippe	cutting rocker	baladeur de coupe
99 61 208	Abschneideblock, kpl.	cutting block, complete	bloc de coupe, cpl.



Art.-No.	Bezeichnung	Description	Description
31 63 126	Abstellexzenter	eccentric stop	excentrique d'arrêt
31 63 303	Schuhzungenkurve	shoe tongue curve	courbe de la langue chaussure
32 63 127	Exzenterachse	eccentric axle	axe excentrique
36 61 008	Gehäuse	housing	boîtier
37 63 015	Schaltstück	switch-piece	pièce de mise au point
41 00 013	Dreikantgriff	three-square handle	poignée à trois pans
66 06 000	Sechskantmutter	hexagon nut	écrou à six pans
76 03 010V	Senkschraube, selbstsichernd	slotted countersunk head screw, self locking	vis à tête conique, freinage interne
79 04 006	Inbusschraube	hexagon socket head cap screw	vis à tête cylindrique
80 05 005	Gewindestift	hexagon socket set screw	vis sans tête
92 00 002	Kugelgewindestift	ball hexagon socket set screw	vis sans tête sphérique



Art.-No.	Bezeichnung	Description	Description
31 63 207	Schaltrampe	actuating ramp	rampe commutateur
31 63 347	Mitnehmer	pusher	entraîneur
32 31 308	Federbolzen	spring bolt	boulon à ressort
(32 53 514)	Federbolzen	spring bolt	boulon à ressort
32 63 320	Gewindestift	hexagon socket set screw	vis sans tête
(32 65 117)	Unterlegscheibe	washer	rondelle
62 04 010	Spiralspannstift	spiral pin	goupille spiralee
66 08 000	Sechskantmutter	hexagon nut	écrou hexagonal
76 04 010	Senkschraube mit Schlitz	slotted countersunk head screw	vis à tête conique à fente
(83 06 014)	Inbusschraube niedr. Kopf	hexagon socket head cap screw, low head	vis à tête cylindrique à six pans creux, tête basse
92 00 010	Schraubentellerfeder	screw-disc spring	vis ressort à disque
99 61 324	Mitnehmer, komplett	pusher, cpl.	entraîneur cpl.
(99 63 342)	Mitnehmer, komplett	pusher, cpl.	entraîneur cpl.
31 63 116	Transportrampe	transport ramp	ramp transporteur
31 63 132	Gewindebüchse	threaded bushing	douille filetée
31 63 134	Klemmstück	clamping piece	pièce de serrage
32 63 111	Griffmutter	knurled nut	boulon à écrou
32 63 118	Stellspindel	adjusting spindle	fuseau d'ajustage
34 61 115	Zahnstange	toothed rack	crémaillère
37 61 119	Hauptschieber	main slide bar	curseur principal
38 65 510	Bremsfeder	brake spring	ressort de frein
47 03 210	Scheibe	washer	rondelle
61 03 006	Zylinderstift	parallel pin	goupille cylindrique
76 02 505	Senkschraube mit Schlitz	slotted countersunk head screw	vis à tête conique à fente
79 03 005	Inbusschraube	hexagon socket head cap screw	vis à tête cylindrique
80 05 006	Gewindestift	hexagon socket set screw	vis sans tête
99 61 120	Hauptschieber komplett	main pusher, cpl.	curseur principal, cpl.

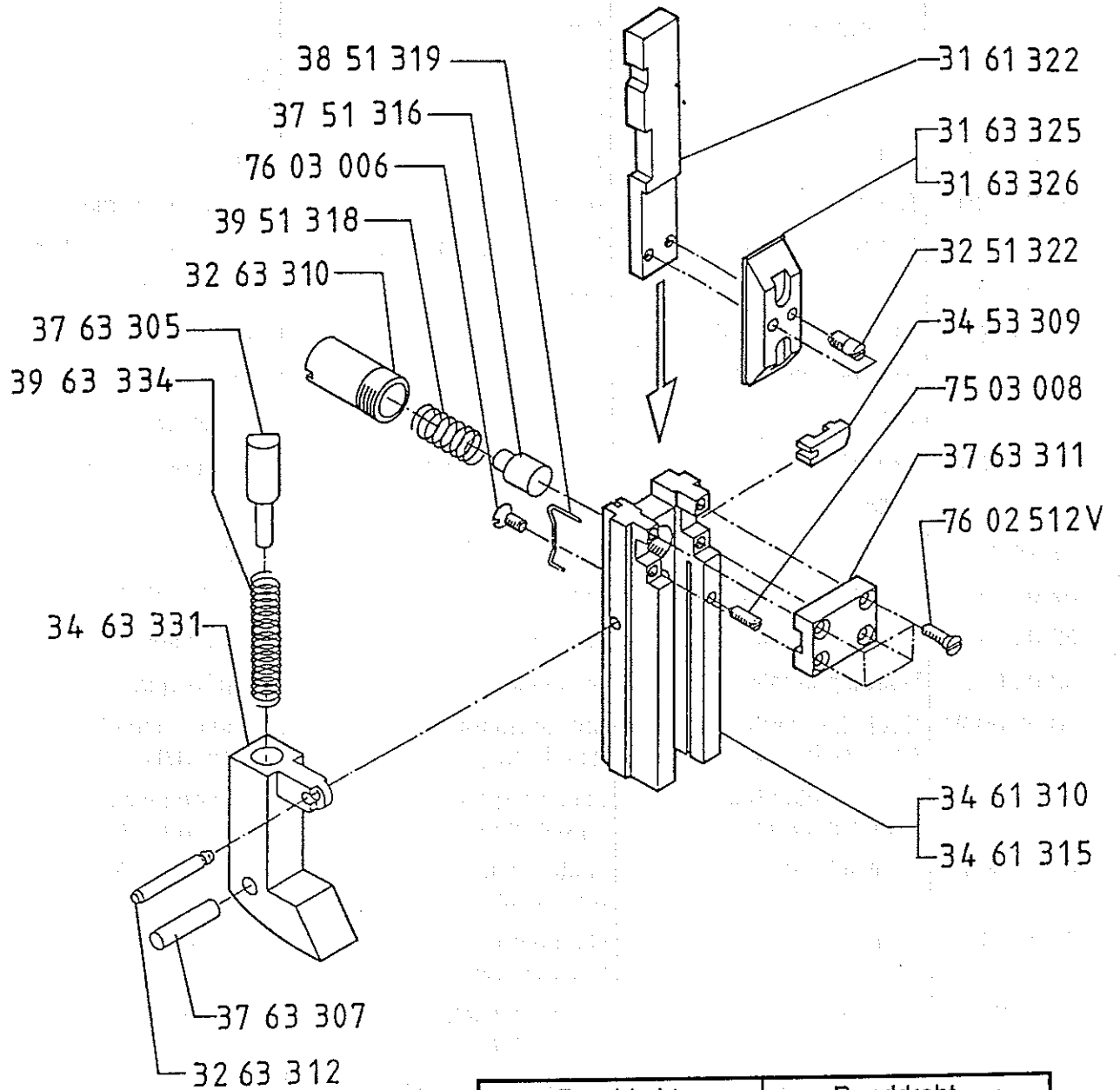


99 61 324


(99 63 342)

99 61 120

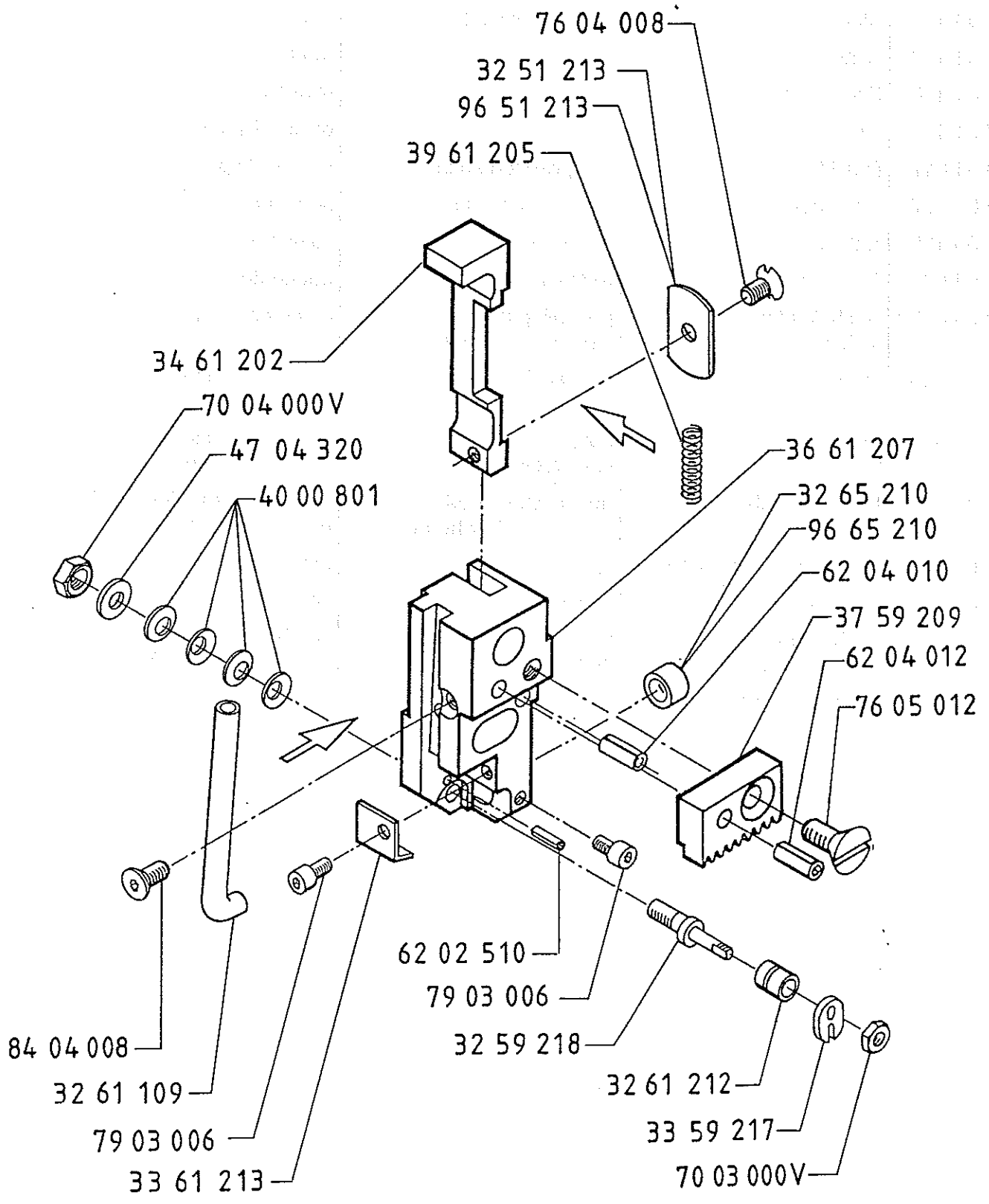
Art.-No.	Bezeichnung	Description	Description
31 61 322	Mittelschieber	center slide bar	curseur du milieu
31 63 325	Treiber	driver	pousseur
31 63 326	Treiber	driver	pousseur
32 51 322	Gewindebolzen	threaded bolt	boulon fileté
32 63 310	Federbuchse	spring bushing	douille de ressort
32 63 312	Achse	axle	axe
34 53 309	Schaltzunge	actuating piece	pièce commutateur
34 61 310	Umbieger	bender	plier
34 61 315	Umbieger	bender	plier
34 63 331	Schuhzunge, kurz	shoe tongue, short	langue chaussure, court
37 51 316	Bremsbolzen	brake bolt	boulon de frein
37 63 305	Druckbolzen	compression bolt	boulon de pression
37 63 307	Gleitstift	sliding pin	cheville coulissante
37 63 311	Deckel	cover	couvercle
38 51 319	Spangenfeder	hook spring	ressort agrafe
39 51 318	Druckfeder	compression spring	ressort de pression
39 63 334	Druckfeder	compression spring	ressort de pression
75 03 008	Gewindestift mit Spitze	slotted set screw with cone point	vis sans tête, pointu
76 02 512V	Senkschraube, selbstsichernd	slotted countersunk head screw, self locking	vis à tête conique, freinage interne
76 03 006	Senkschraube mit Schlitz	slotted countersunk head screw	vis à tête conique à fente
99 61 311	Umbieger, kpl.	bender, cpl.	plier, cpl.
99 61 316	Umbieger, kpl.	bender, cpl.	plier, cpl.



	• Runddraht • • round wire • • fil rond • No. 24 - 28 (USA No. 23 - 26)	• Runddraht • • round wire • • fil rond • No. 26 - 30 (USA No. 25 - 28)
31 63 325	O	
31 63 326		O
34 61 310	O	
34 61 315		O
99 61 311	O	
99 61 316		O

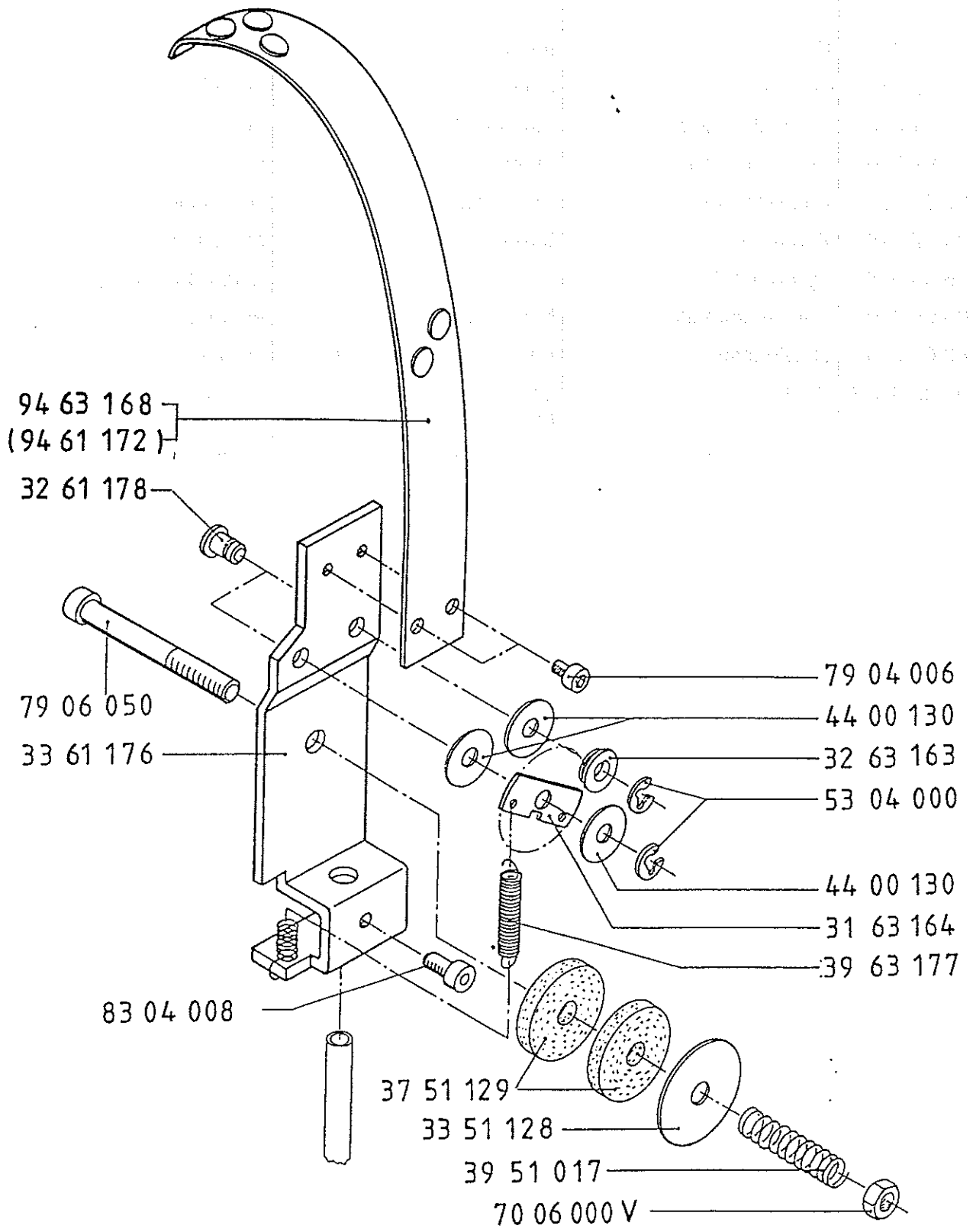
 = 99 61 311 • 99 61 316

Art.-No.	Bezeichnung	Description	Description
32 51 213	Schermesser	flat blade	couteau plat
32 59 218	Exzenterboizen	eccentric bolt	boulon excentrique
32 61 109	Drahtrohr, unten	wire tube, lower	tube de fil, en bas
32 61 212	Rolle	roll	rouleau
32 65 210	Rundmesser	revolving blade	couteau circulaire
33 59 217	Drahtrichtflasche	bracket wire straightener	fixation ajusteur, du fil
33 61 213	Einlaufblech	guide plate	tôle de guidage
34 61 202	Abschneideschieber	cutting pusher	curseur de coupe
36 61 207	Abschneidekasten	cut off box	boîtier de decoupage
37 59 209	Zahnstange	toothed rack	crémaillère
39 61 205	Druckfeder	compression spring	ressort de pression
40 00 801	Tellerfeder	disc spring	ressort à disques
47 04 320	Scheibe	washer	rondelle
62 02 510	Spiralspannstift	spiral pin	goupille spiralée
62 04 010	Spiralspannstift	spiral pin	goupille spiralée
62 04 012	Spiralspannstift	spiral pin	goupille spiralée
70 03 000V	Sechskantmutter, selbstsichernd	prevailing torque type hexagon nut	écrou de sécurité, hexagonal à frein
70 04 000V	Sechskantmutter, selbstsichernd	prevailing torque type hexagon nut	écrou de sécurité, hexagonal à frein
76 04 008	Senkschraube	slotted countersunk head screw	vis à tête conique
76 05 012	Senkschraube	slotted countersunk head screw	vis à tête conique
79 03 006	Inbusschraube	hexagon socket head cap screw	vis à tête cylindrique à six pans creux
84 04 008	Senkschraube	hexagon socket counter- sunk head screw	vis à six pans creux, tête fraisée
96 51 213	Schermesser	flat blade	couteau plat
96 65 210	Rundmesser	revolving blade	couteau circulaire
99 61 208	Abschneideblock, kpl.	cutting bloc, cpl.	bloc de coupe, cpl.



99 61 208

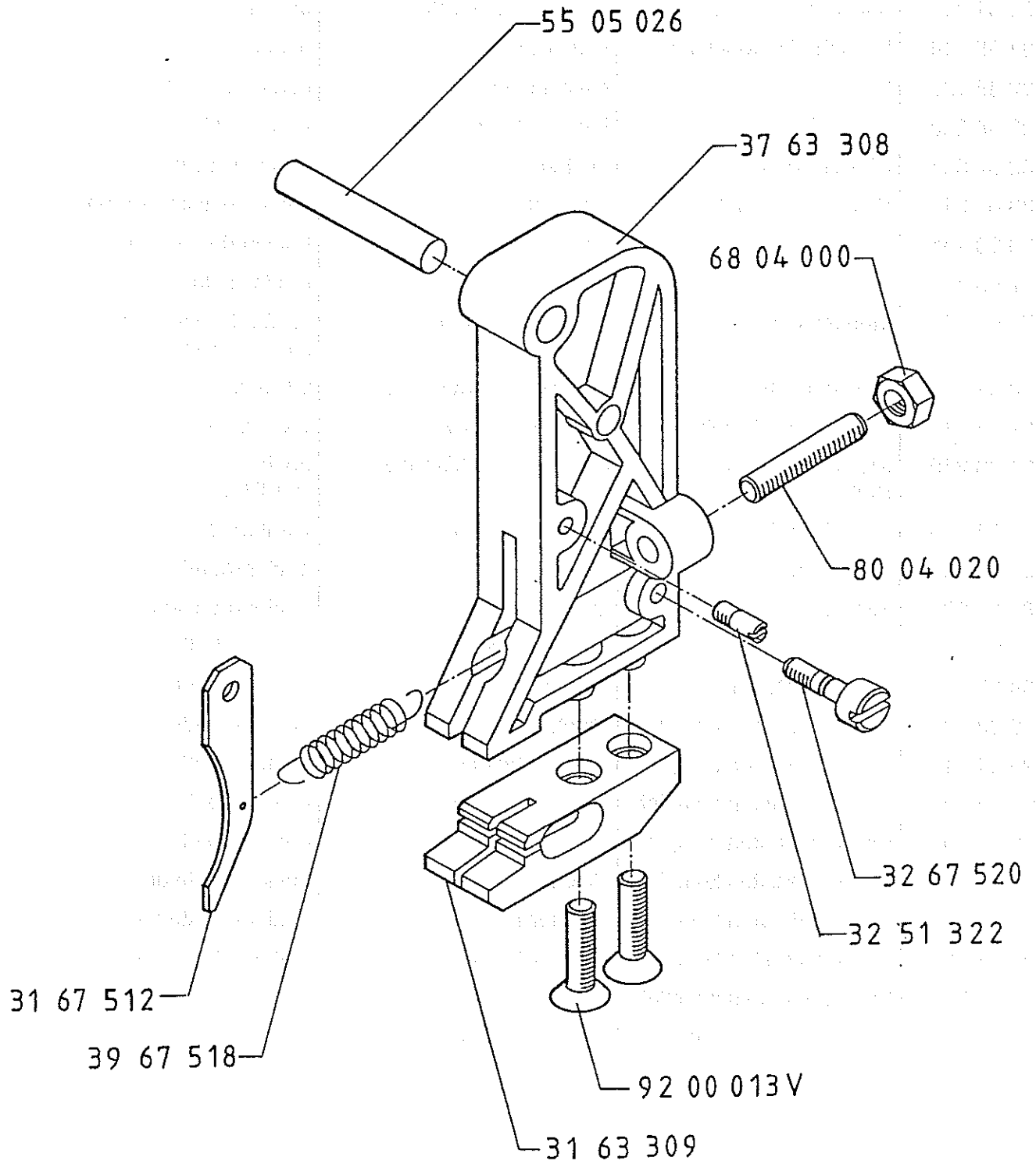
Art.-No.	Bezeichnung	Description	Description
31 63 164	Bremskeil	brake key	clavette de frein
32 61 178	Bremsstift	brake pin	boulon de frein
32 63 163	Klemmrolle	clamping wheel	rouleau de serrage
33 51 128	Scheibe	disc	rondelle
33 61 176	Federlasche	spring bracket	fixation à ressort
37 51 129	Filzscheibe	felt disc	disque à feutre
39 51 017	Druckfeder	compression spring	ressort de pression
39 63 177	Zugfeder	extension spring	ressort de traction
44 00 130	Anlaufscheibe	spacer, feed wheel	disque axiale
53 04 000	Sicherungsscheibe	retaining washer	bague de frein
70 06 000V	Sechskantmutter selbstsichernd	prevailing torque type hexagon nut	écrou de sécurité hexagonal à frein
79 04 006	Inbusschraube	hex. socket head cap screw	vis à tête cylindrique à six pans creux
79 06 050	Inbusschraube	hex. socket head cap screw	vis à tête cylindrique à six pans creux
83 04 008	Inbusschraube	hex. socket head cap screw, low head	vis à tête cylindrique à six pans creux, tête basse
(94 61 172)	Federbügel, gewendelt	spring bracket	fixation à ressort
94 63 168	Federbügel	spring bow	courbe de ressort
(91 61 170)	Drahtbügel, mit gewendelttem Federbügel	wire bow, with coiled spring bow	courbe du fil, avec courbe de ressort boudinée
99 61 175	Drahtbügel, komplett	wire bow, cpl.	courbe du fil, cpl.



99 61 175

(99 61 170)

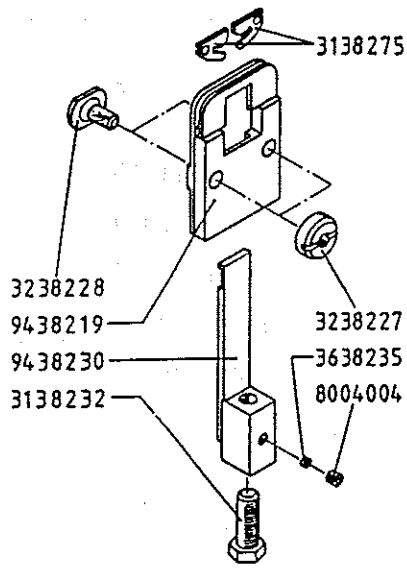
Art.-No.	Bezeichnung	Description	Description
31 63 309	Formerschuh	former shoe	façonneur
31 67 512	Greifer	gripper	grappin
32 51 322	Gewindebolzen	threaded bolt	boulon fileté
32 67 520	Kerbschraube	grooved screw	vis cannelée
37 63 308	Formerschaft	former shank	tige façonneur
39 67 518	Zugfeder	tension spring	ressort de traction
55 05 026	Zylinderstift	parallel pin	goupille cylindrique
68 04 000	Sechskantmutter	hexagon nut	écrou hexagonal
80 04 020	Gewindestift	hex. socket set screw	vis sans tête
92 00 013V	Senkschraube,	slotted countersunk head screw	vis à tête conique,
99 63 343	Former, komplett	former, cpl.	façonneur, cpl.



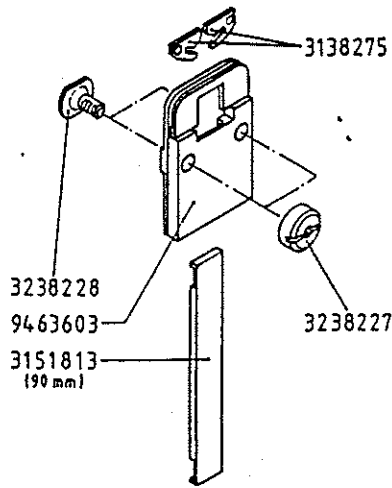
99 63 343

Art.-No.	Bezeichnung	Description	Description
31 38 232	Stößelschraube	pusher screw	vis coulisseau
31 38 275	Klinscher	clincher	rabatteur
31 51 803	Klinscherstößel 91	clincher pusher 91	tirant rabatteur 91
31 51 813	Klinscherstößel 90	clincher pusher 90	tirant rabatteur 90
31 65 014	Klinscherkastenplatte	plate clincher-box	plaque de boîtier-rabatteur
32 38 227	Klemmutter	clamping nut	écrou de serrage
32 38 228	Gewindestift	hex. socket set screw	vis sans tête
32 52 826	Stößelschraube	pusher screw	vis coulisseau
33 63 612	Einlaufblech, unten	guide plate, below	tôle de guidage en bas
36 38 235	Druckbolzen	compression bolt	boulon de pression
47 05 320	Scheibe	washer	rondelle plate
79 05 016	Inbusschraube	hex. socket head cap screw	vis à tête cylindrique à six pans creux
80 04 004	Gewindestift	hex. socket set screw	vis sans tête
87 05 014	Sechskantschraube	hex. head screw	vis à six pans
94 38 219	Klinscherkasten HOHNER	clincher-box HOHNER	boîtier rabatteur HOHNER
94 38 230	Klinscherstößel	clincher pusher	tirant rabatteur
94 52 824	Klinscherkasten	clincher-box	boîtier rabatteur
94 61 605	Klinscherkasten	clincher box	boîtier rabatteur
94 63 603	Klinscherkasten	clincher-box	boîtier rabatteur
94 63 624	Klinscherstößel	clincher pusher	tirant rabatteur
99 38 220	Klinscherkasten komplett	clincher-box cpl.	boîtier rabatteur cpl.
99 51 810	Klinscherkasten komplett	clincher-box cpl.	boîtier rabatteur cpl.
99 52 800	Klinscherkasten komplett	clincher-box cpl.	boîtier rabatteur cpl.
99 52 801	Klinscherkasten komplett	clincher-box cpl.	boîtier rabatteur cpl.
99 52 821	Klinscherkasten komplett	clincher-box cpl.	boîtier rabatteur cpl.
99 61 600	Klinscherkasten komplett	clincher-box cpl.	boîtier rabatteur cpl.
99 63 610	Klinscherkasten komplett	clincher-box cpl.	boîtier rabatteur cpl.
99 63 615	Klinscherkasten komplett	clincher-box cpl.	boîtier rabatteur cpl.
99 63 625	Klinscherkasten komplett	clincher-box cpl.	boîtier rabatteur cpl.

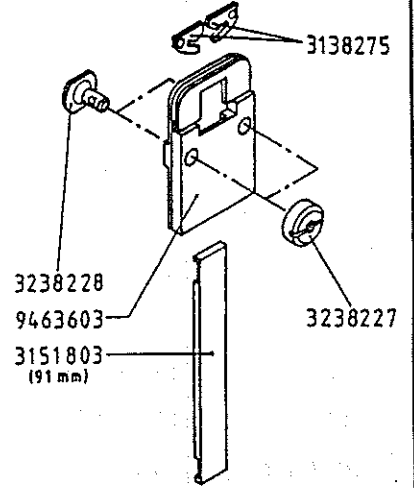
- 9938220 -



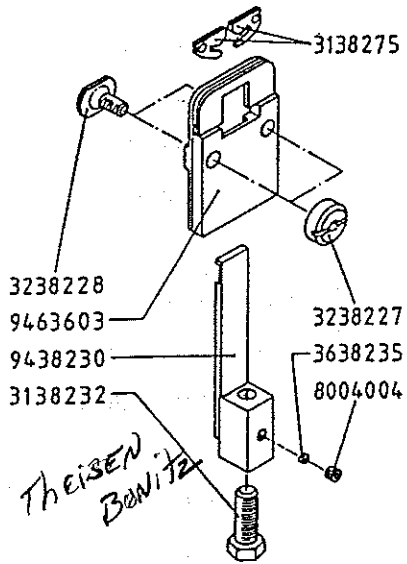
- 9951810 -



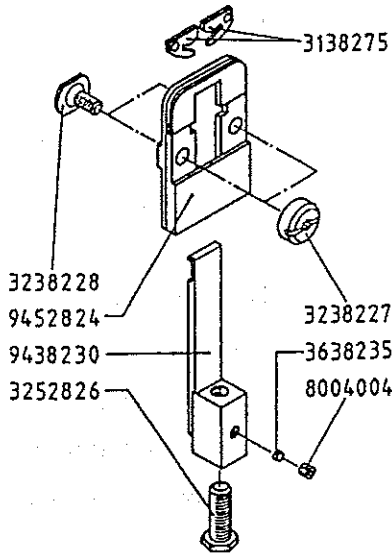
- 9952800 -



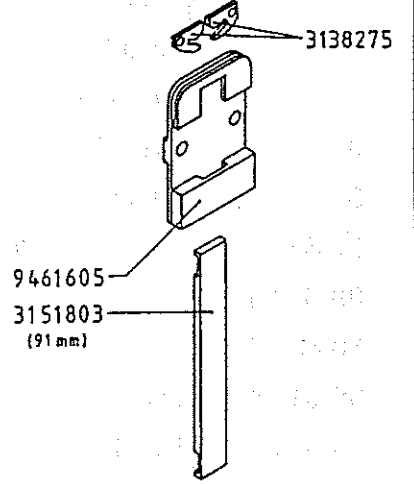
- 9952801 -



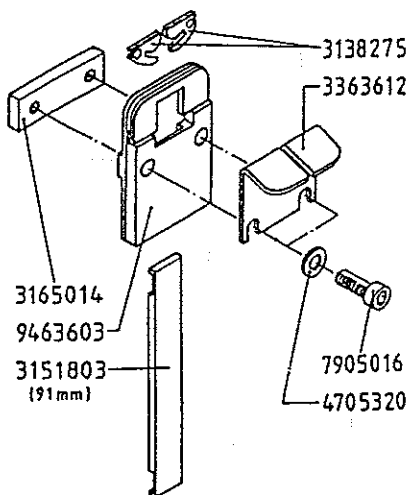
- 9952821 -



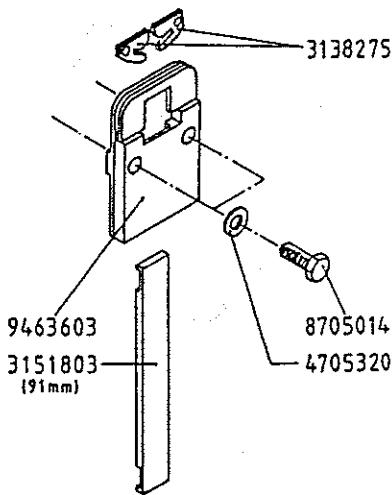
- 9961600 -



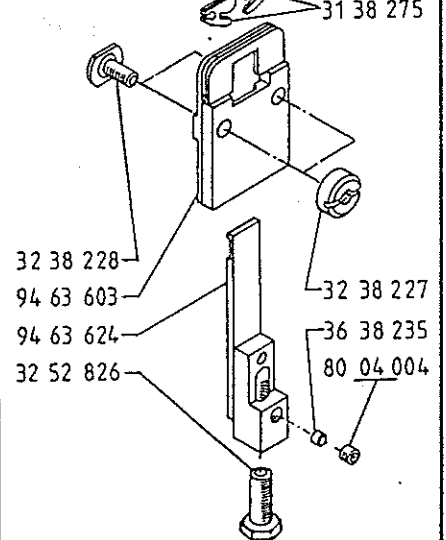
- 9963610 -



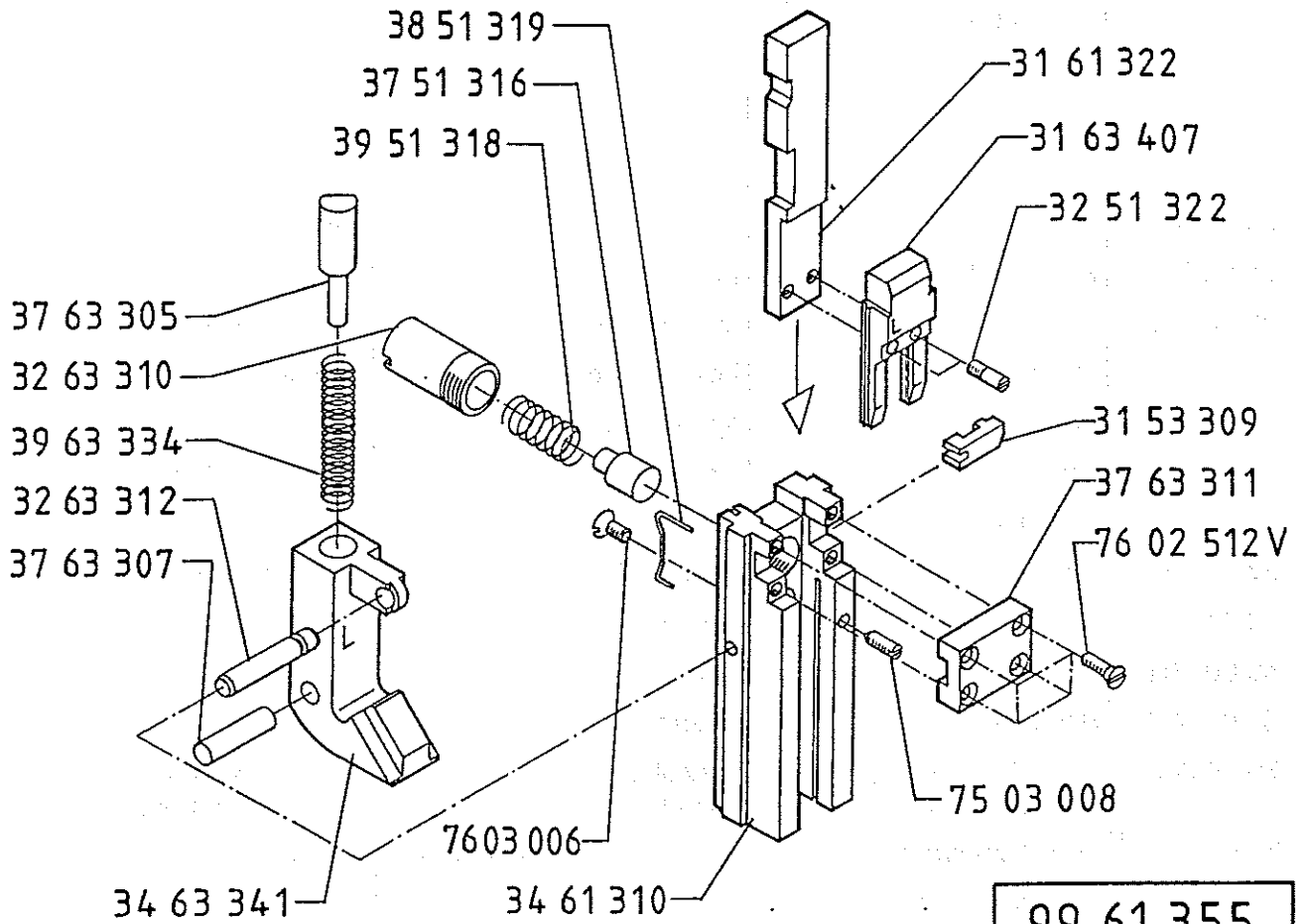
- 9963615 -



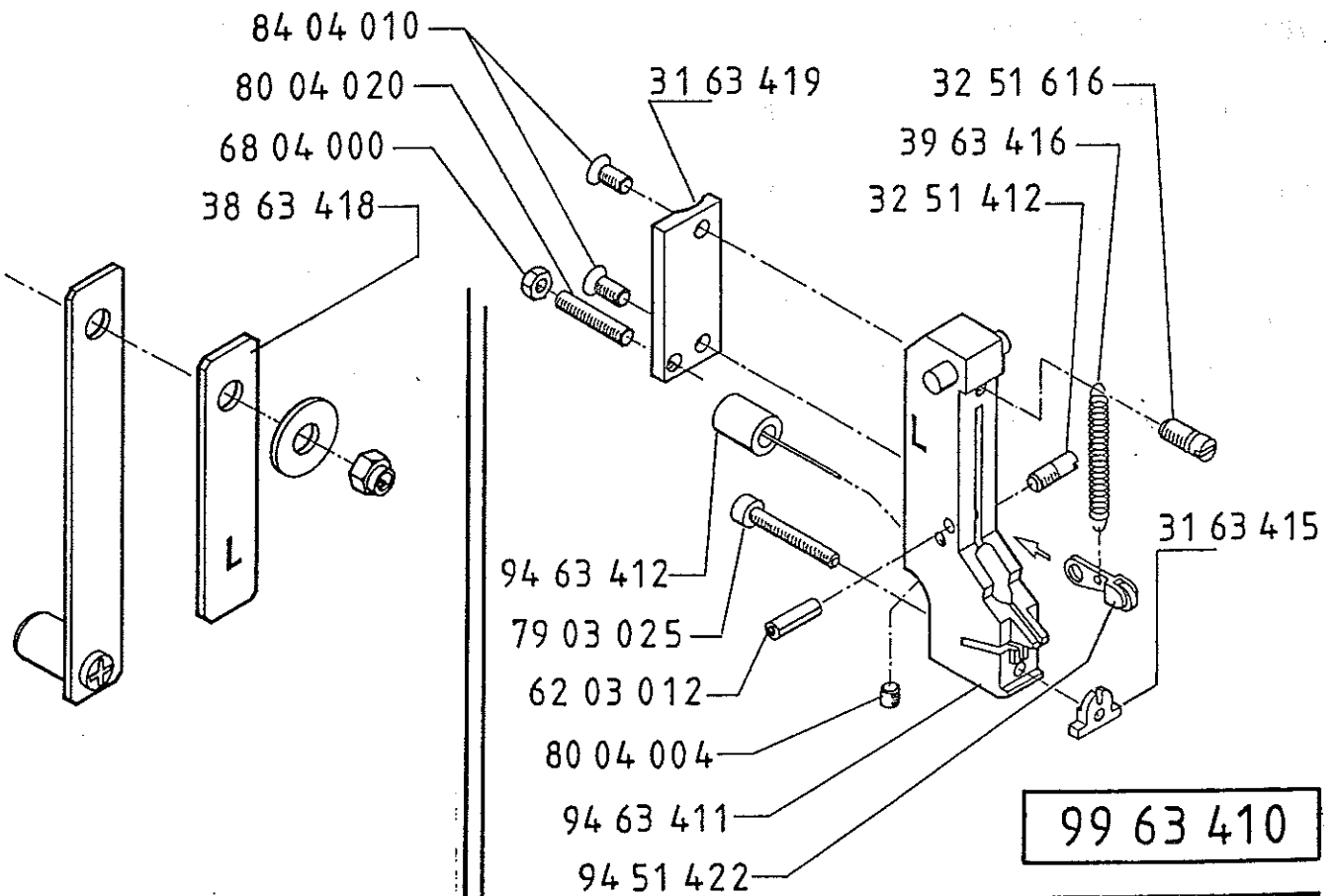
- 99 63 625 -



Art.-No.	Bezeichnung	Description	Description
05 48 051	Ringösen, Wechsel- teilesatz	set for loop stitching	set pour agrafage à boucles
31 53 309	Schaltzunge	actuating piece	pièce commutateur
31 61 322	Mittelschieber	center slide bar	curseur du milieu
31 63 407	Treiber	driver	pousseur
31 63 415	Formernase	former nose	nez façonneur
31 63 419	Formerrücken	former back	dos façonneur
32 51 322	Gewindebolzen	threaded bolt	boulon fileté
32 51 412	Bolzen	bolt	boulon
32 51 616	Federbolzen	spring bolt	boulon de frein
32 63 310	Federbuchse	spring bushing	douille de ressort
32 63 312	Achse	axle	axe
34 61 310	Umbieger	bender	plieur
34 63 341	Schuhzunge	shoe tongue	langue chaussure
37 51316	Bremsbolzen	brake bolt	boulon de frein
37 63 305	Druckbolzen	compression bolt	boulon de pression
37 63 307	Gleitstift	sliding pin	cheville coulissante
37 63 311	Deckel	cover	couvercle
38 51 319	Spangenfeder	hook spring	ressort agrafe
38 63 418	Blattfeder, kurz	leaf spring, short	ressort à lames, court
39 51 318	Druckfeder	compression spring	ressort de pression
39 63 334	Druckfeder	compression spring	ressort de pression
39 63 416	Druckfeder	compression spring	ressort de pression
62 03 012	Spiralspannstift	spiral pin	goupille spiralee
68 04 000	Sechskantmutter	hexagon nut	écrou hexagonal
75 03 008	Gewindestift	hexagon socket set screw	vis sans tête
76 02 512V	Senkschraube selbstsichemd	slotted countersunk head screw self locking	vis à tête conique, freinage interne
76 03 006	Senkschraube mit Schlitz	slotted conters.head screw	vis à tête conique
79 03 025	Inbusschraube	hex. sock. head cap screw	vis à tête cylindrique
80 04 004	Gewindestift	hex. socket set screw	vis sans tête
80 04 020	Gewindestift	hex. socket set screw	vis sans tête
84 04 010	Senkschraube	hex. socket countersunk head screw	vis à six pans creux
94 51 422	Rollenhebel	roller lever	levier rouleau
94 63 411	Former	former	façonneur
94 63 412	Greifer	gripper	grappin
99 61 355	Umbieger, kpl.	bender, cpl.	plieur, cpl.
99 63 410	Former, kpl.	former, cpl.	façonneur, cpl.

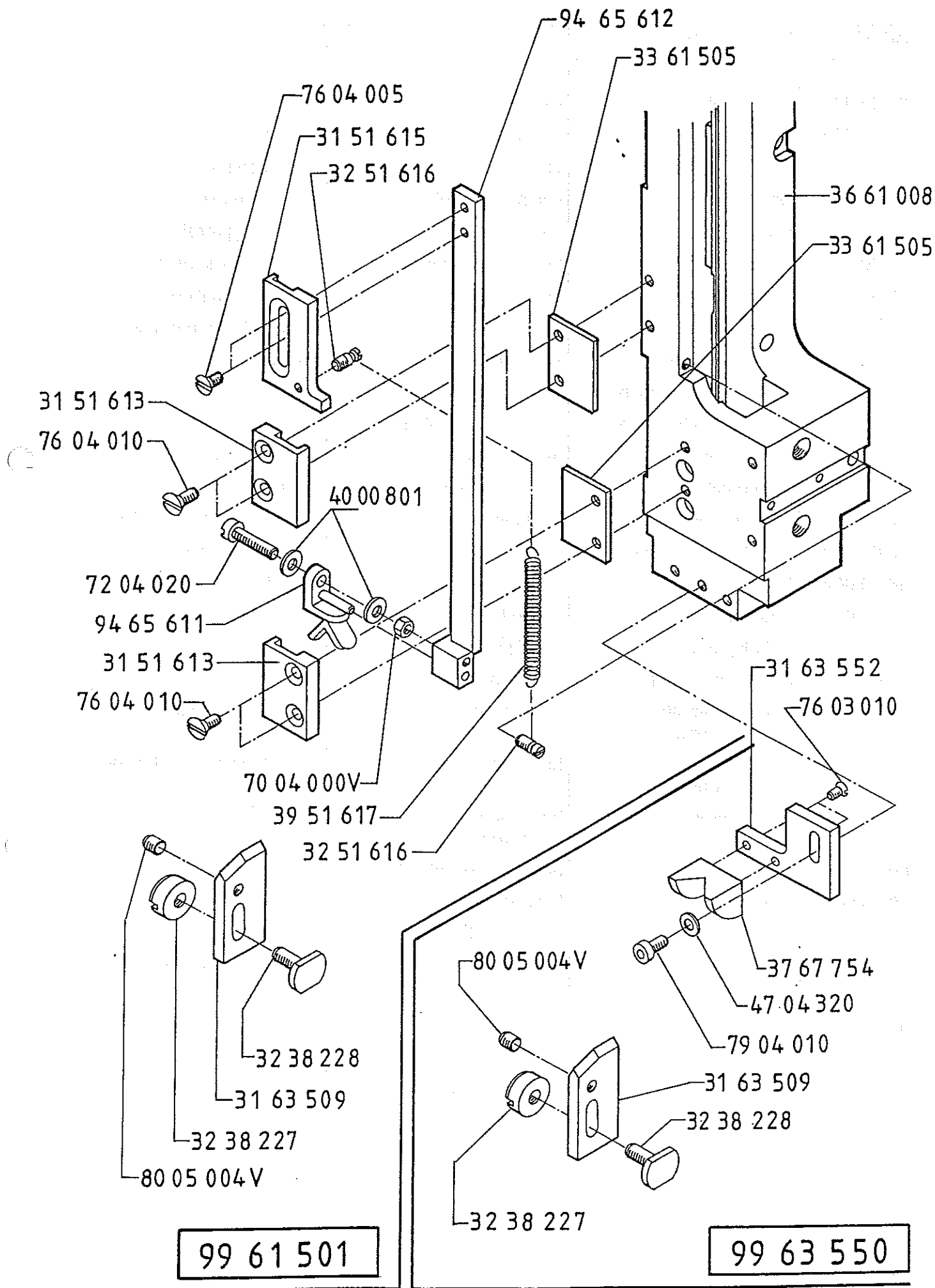


99 61 355



99 63 410

Art.-No.	Bezeichnung	Description	Description
31 51 613	Halter	holder	support
31 51 615	Lasche	bracket	fixation
31 63 509	Reiter	slide	cavalier
31 63 552	Halteflasche	holder	support
32 38 227	Klemmutter	clamping nut	écrou de serrage
32 38 228	Gewindestift	hexagon socket set screw	vis sans tête
32 51 616	Federbolzen	spring bolt	bouillon à ressort
33 61 505	Distanzplatte	distance plate	plaque de distance
36 61 008	Gehäuse	housing	boîtier
37 67 754	Papierführung	paper guide	guidage de papier
39 51 617	Zugfeder	extension spring	ressort de traction
40 00 801	Tellerfeder	disc spring	ressort à disque
47 04 320	Scheibe	washer	rondelle
70 04 000V	Sechskantmutter, selbstsichernd	prevailing torque type hexagon nut	écrou de sécurité hexagonal à frein
72 04 020	Zylinderschraube	slotted cheese head screw	vis à tête cylindr. fendue
76 03 010	Senkschraube	slotted countersunk head screw	vis à tête conique à fente
76 04 005	Senkschraube	slotted countersunk head screw	vis à tête conique à fente
76 04 010	Senkschraube	slotted countersunk head screw	vis à tête conique à fente
79 04 010	Inbusschraube	hexagon socket head cap screw	vis à tête cylindrique à six pans creux
80 05 004V	Gewindestift, selbstsichernd	hexagon socket set screw, self locking	vis sans tête, freinage interne
94 65 611	Zentrierbacken	centering cheeks	joues de centrage
94 65 612	Zugstange	extension bar	barre de traction
99 61 501	Niederhalter, komplett	centering device, cpl.	dispositif d'appui, cpl.
99 63 550	Zentrierstück, komplett	centering piece, cpl.	pièce de centrage, cpl.



Art.-No.	Bezeichnung	Description	Description
32 65 809	Klemmhülse	clamping sleeve	douille de serrage
32 65 810	Schaltstange	switch rod	barre de commande
32 67 812	Mitnehmerbolzen	driving pin	boulon de retenue
36 67 813	Druckstück	compression piece	pièce de pression
39 65 834	Druckfeder	compression spring	ressort de pression
42 00 049	Pneumatikzylinder	pneumatic cylinder	cylindre pneumatique
42 00 050	Pneumatikventil	pneumatic valve	valve pneumatique
42 00 051	Magnetspule	magnetic coil	bobine électromagnétique
42 00 052	Verschraubung	screw fitting	vissage
42 00 053	Winkelverschraubung	angular screw fitting	raccord à vis coudé
42 00 054	Winkelverschraubung	angular screw fitting	raccord à vis coudé
42 00 061	Magnetspule	magnetic coil	bobine électromagnétique
42 00 062	Pneumatikschlauch	pneumatic hose	tuyau pneumatique
42 00 063	Magnetspule	magnetic coil	bobine électromagnétique
43 00 098	Kabelverschraubung	conduit fitting	passécâble à vis
44 00 002	Lagerbuchse	bearing bush	coussinet
48 10 010	Federring	spring lock washer	rondelle élastique
62 03 016	Spiralspannstift	spiral pin	goupille spiralée
68 08 000	Sechskantmutter	hexagon nut	écrou hexagonal
69 10 100	Sechskantmutter niedrige Form	hexagon thin nut	écrou hexagonale, basse
69 20 150	Sechskantmutter niedrige Form	hexagon thin nut	écrou hexagonale, basse
79 04 030	Inbusschraube	hexagon socket head cap screw	vis à tête cylindrique à six pans creux
80 05 006	Gewindestift	hexagon socket set screw	vis sans tête
80 06 006	Gewindestift	hexagon socket set screw	vis sans tête
94 63 803	Führungslager	guide bearing	palier guide
94 63 807	Aufnahmelager	receiver bearing	palier de réception
94 63 809	Schaltstück	switch piece	pièce de mise au point
94 67 809	Schaltstück	switch piece	pièce de mise au point
94 67 815	Dreh Sperre	turning stop	pièce d'arrêt
99 63 800	stop-stitch cpl.	stop-stitch cpl.	stop-stitch cpl.
99 63 801	stop-stitch cpl.	stop-stitch cpl.	stop-stitch cpl.

