

SCREEN IDENTIFICATION (BAR FLANGE AND DOUBLE FLANGE)

QUOTE NUMBER: _____

MACHINE NAME: _____

MACHINE MODEL: _____

OEM# (if available): _____

1.) Note any part numbers or markings on the screen:

2.) Bar or Double flange option: _____

Please complete the following information:

A. Length: _____

B. Overall width: _____

C. Inside width: _____

D. Depth of radius (Inside): _____

E. Thickness: _____

F. Hole size: _____

G. Width of flange: _____

3.) Please complete bar flange information (if applies);

H. Thickness of flange: _____

I. Hole size on bar flange: _____

J. Counterbore hole size: _____

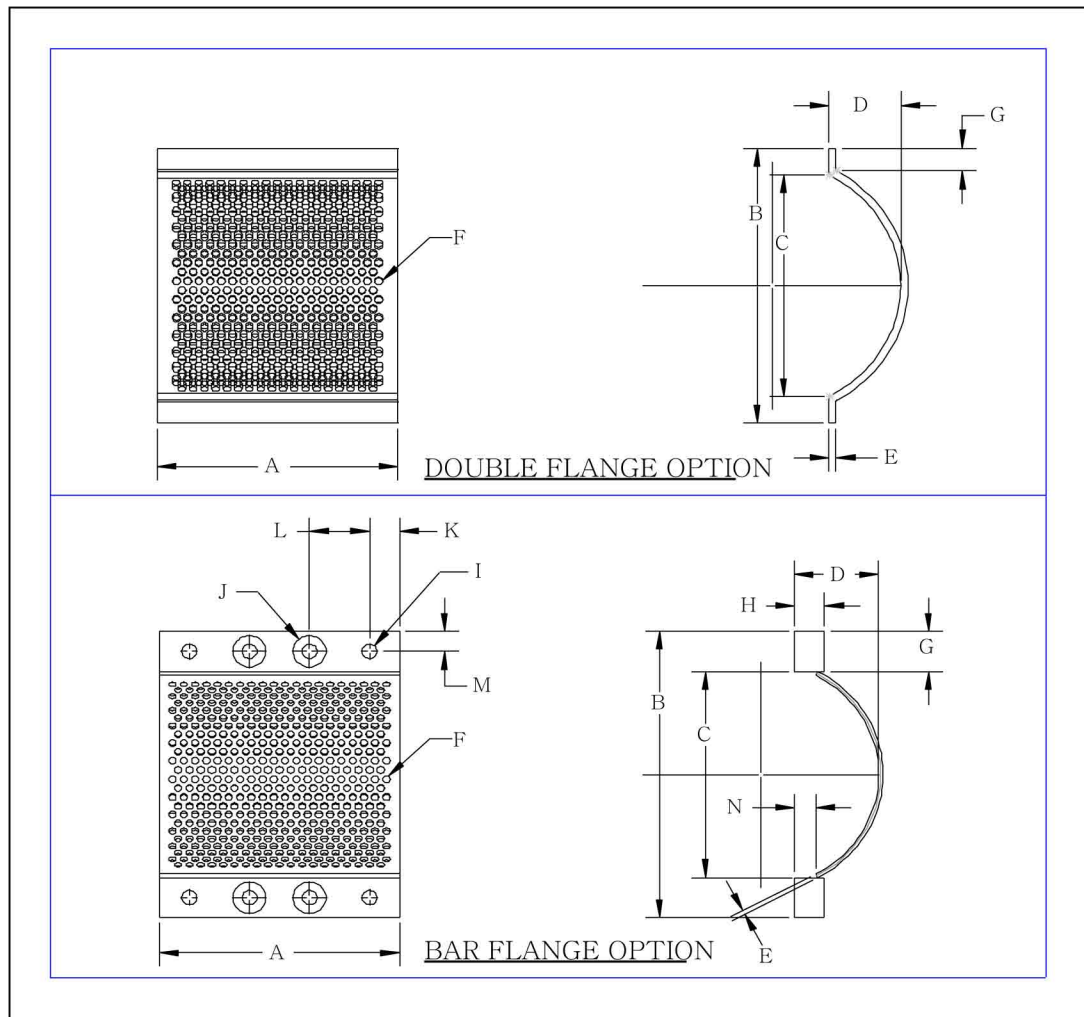
K. Edge to first hole: _____

L. Center to center of holes: _____

M. Side to first hole: _____

N. Screen location (To top of bar): _____

4) Note any special features (ie. brackets, plates, welding):



How to use this form:

Please fill out this form to help us identify your screen. Once completed, send this form to sales@lagrinding.com.