

SHREDDER KNIFE IDENTIFICATION



QUOTE NUMBER: _____

MACHINE NAME: _____

MACHINE MODEL: _____

OEM # (if available): _____

1.) Note any part numbers or markings on the blade:

Please complete the following information:

A. Length: _____

B. Width: _____

C. Thickness: _____

2.) Hole/Thread information: _____

Type of holes (counterbored or tapped): _____

D. Thread size: _____

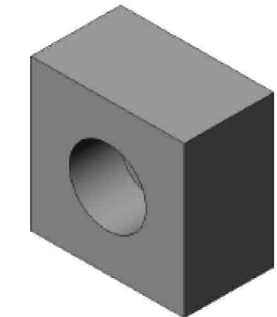
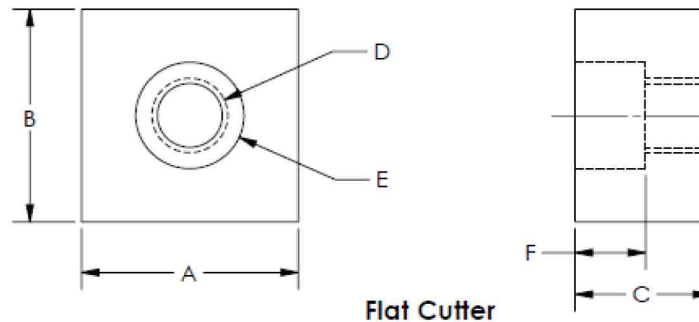
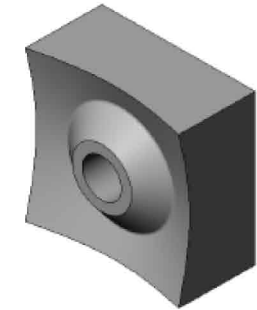
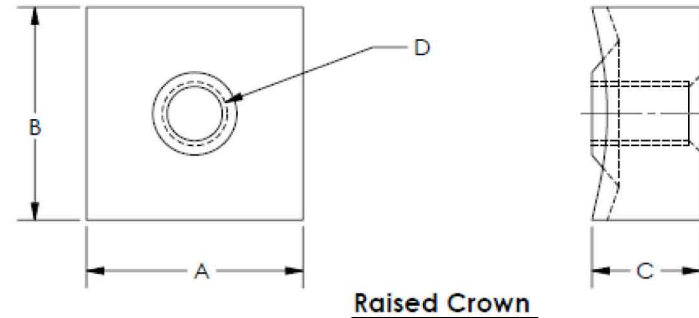
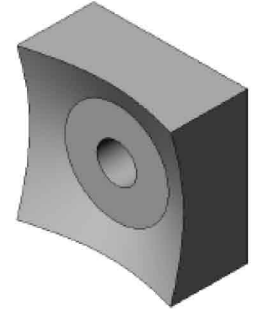
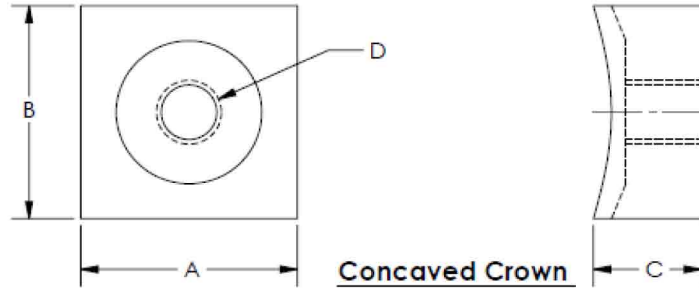
E. Hole diameter: _____

F. Counterbore depth: _____

3.) Please circle which option applies (shown on right)

4.) Material being processed: _____

5.) Note any special features: _____



How to use this form:

Please fill out this form to help us identify your shredder. Once completed, send this form to sales@lagrinding.com.