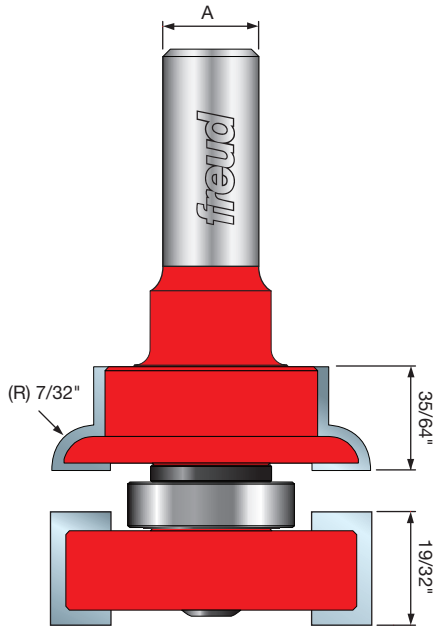
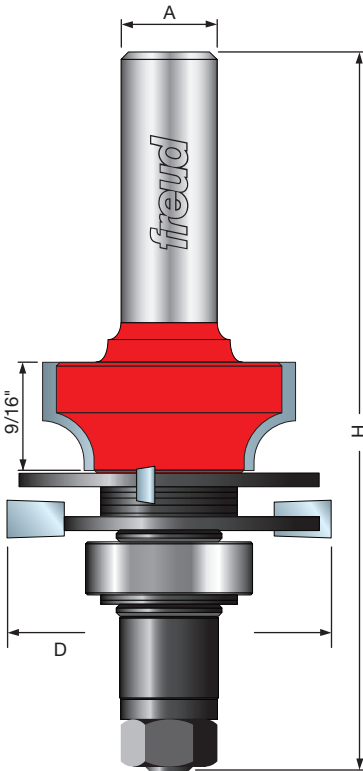
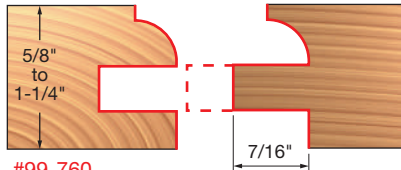


Round Over

#99-760

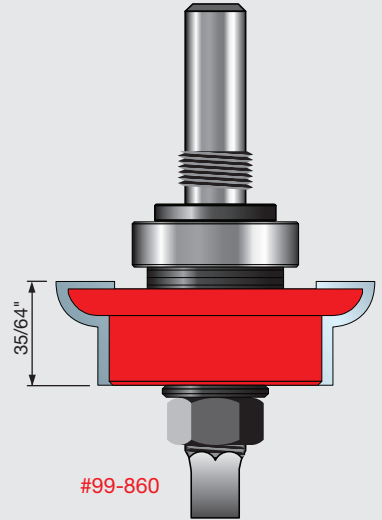


Stub & Extended Tenons

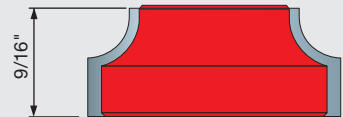


#99-760

Add-on this Optional Cutter for Creating Double Sided Profiles

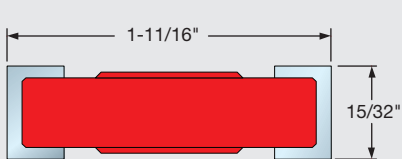


#99-860



#99-860

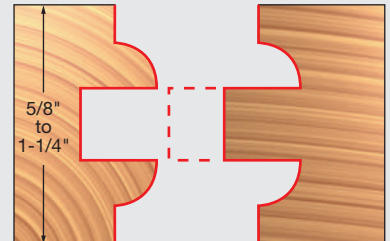
Add-on this Optional Cutter for Creating Glass/Screen Panel Doors



#54-760



#99-760 + #54-760



#99-760 + #99-860