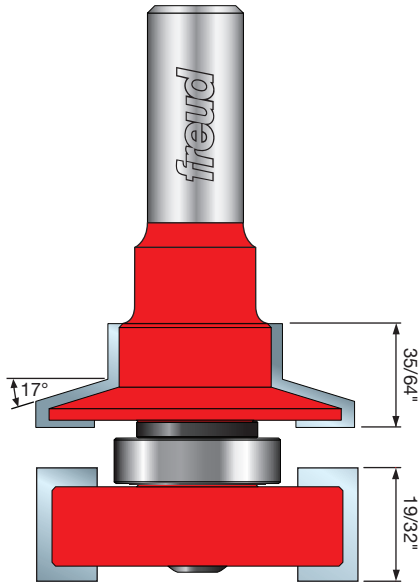
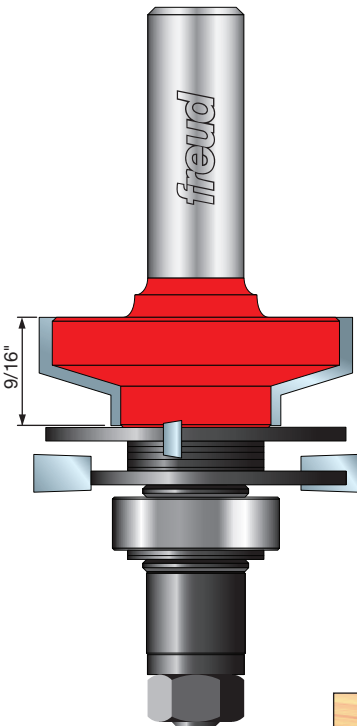
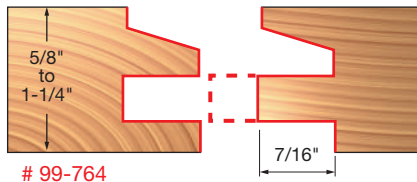


Bevel #99-764

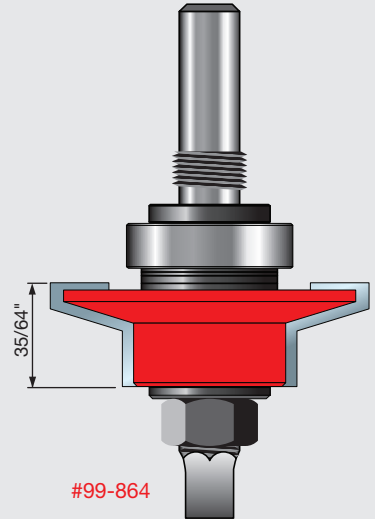


Stub & Extended Tenons

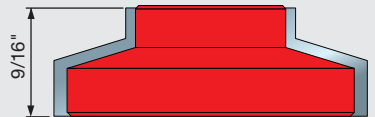


99-764

Add-on this Optional Cutter for Creating Double Sided Profiles

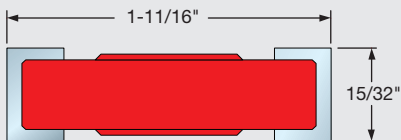


#99-864



#99-864

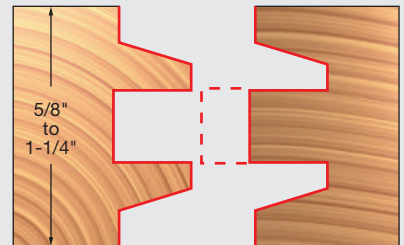
Add-on this Optional Cutter for Creating Glass/Screen Panel Doors



#54-760



99-764 + #54-760



99-764 + #99-864